

HARU & SO

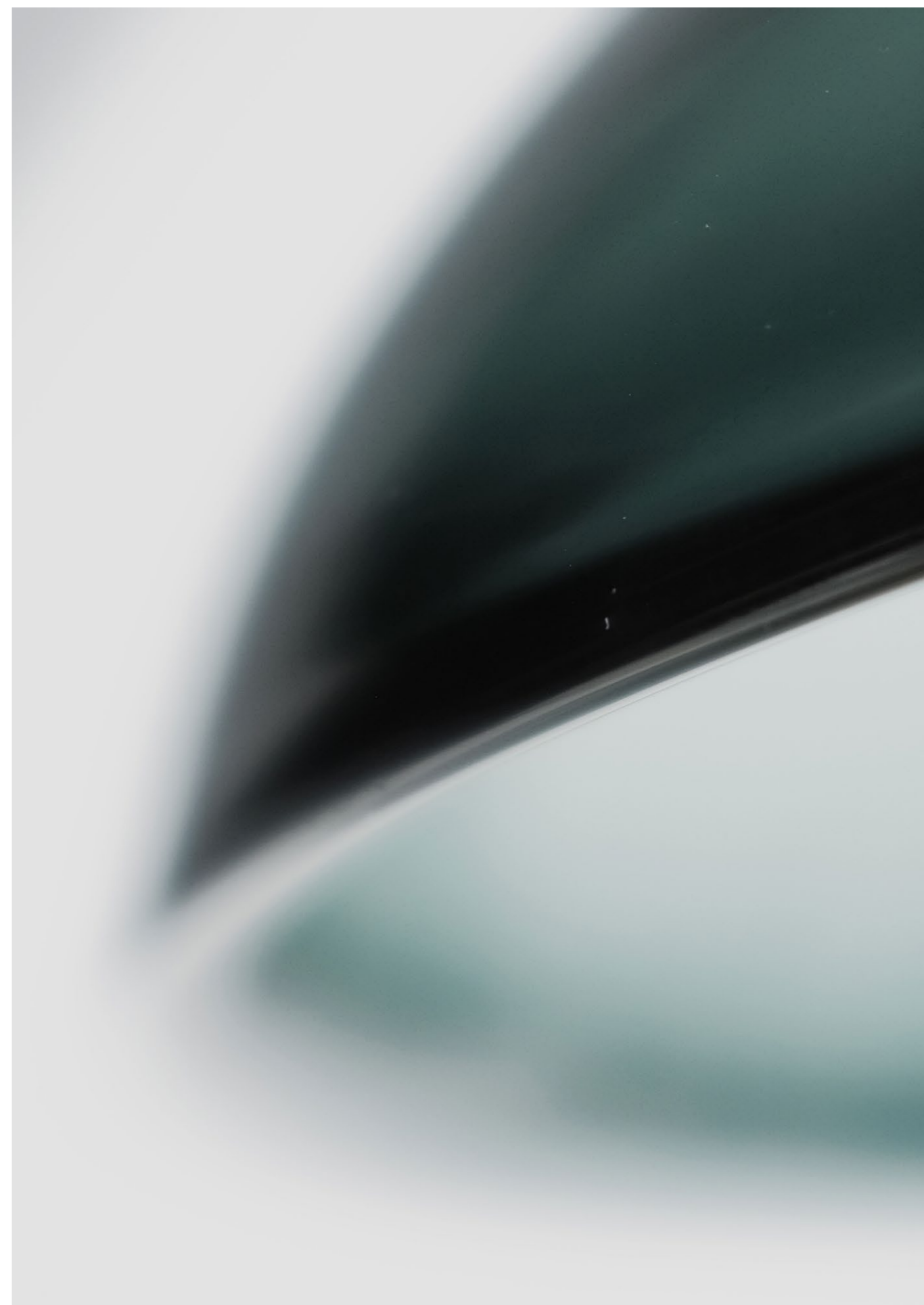
RP-E-2304

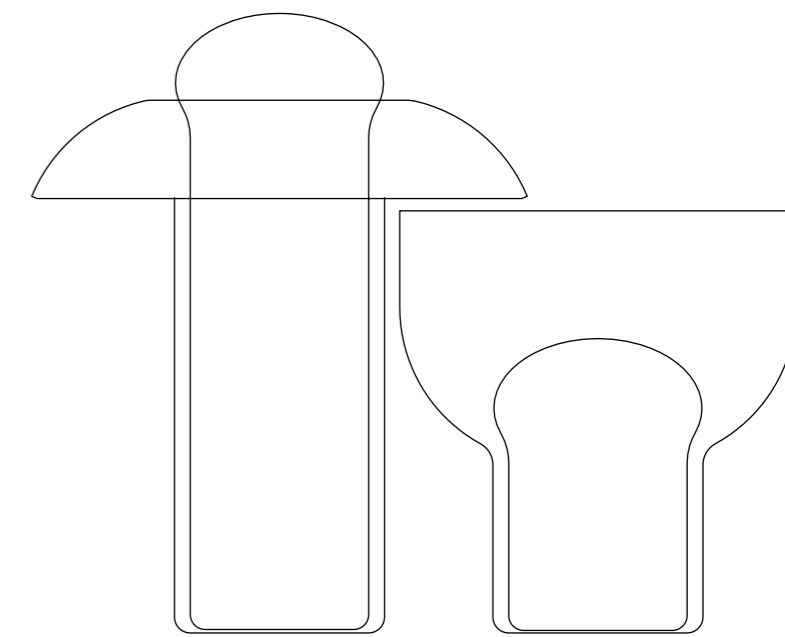


WWW.RAKUMBA.COM
SALES@RAKUMBA.COM

ALL RIGHTS RESERVED © RAKUMBA, 2023

Rakumba





HARU & SO

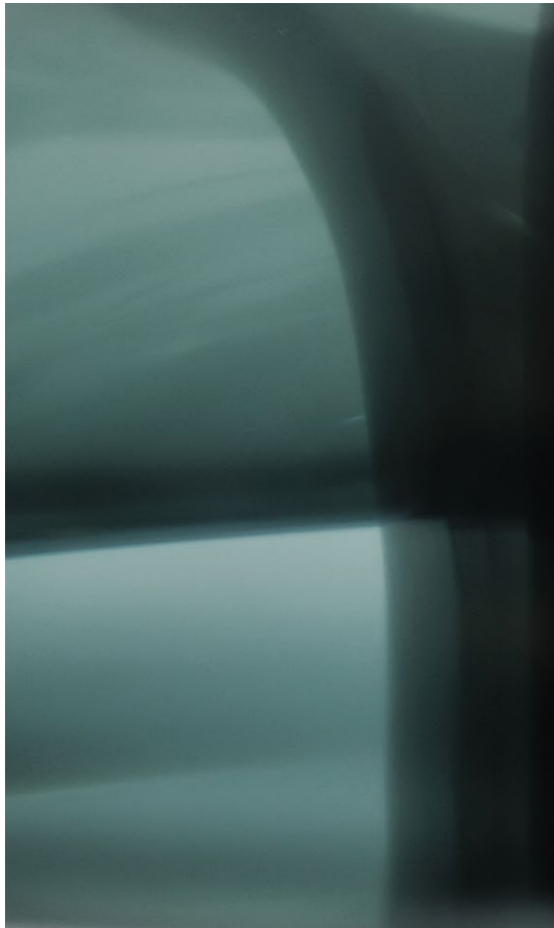
RP-E-2304

An intrinsically linked pair, the Haru and So table lamps by Australian designer Tom Skeeihan are a celebration of material-driven design, blending centuries-old artisan techniques with contemporary form and colour theory.

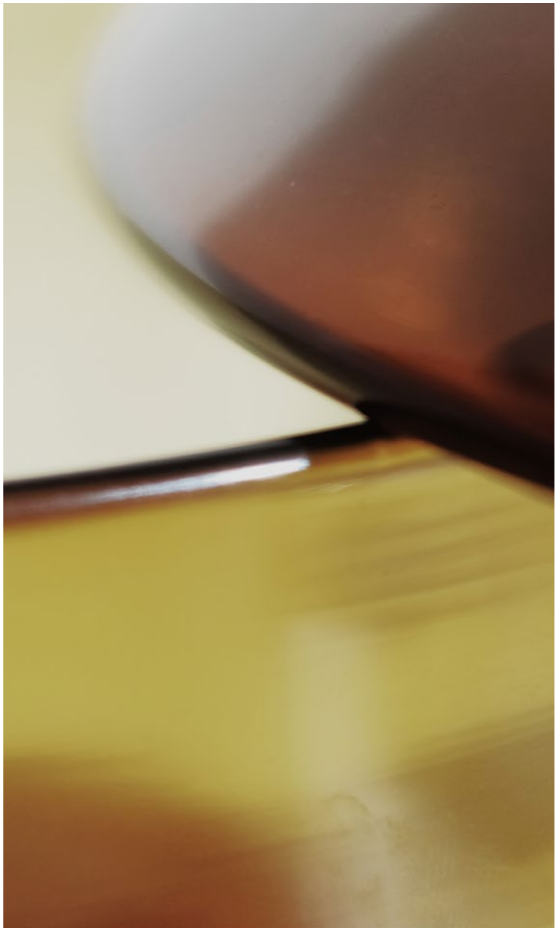
Each Haru and So lamp is individually hand-blown by Australian glass artists, with form and scale challenging the boundaries of traditional glassworking. Recurring curved motifs and a shared anthropomorphic aesthetic across Haru and So creates a visually striking, complementary pair, enhanced by the captivating depths of layered colour.

Haru and So provide the perfect blend of tradition and modernity, craftsmanship and creativity, creating sculptural moments in sophisticated interiors.

MATERIALS & FINISHES



TEAL



AMBER

MODELS



HARU

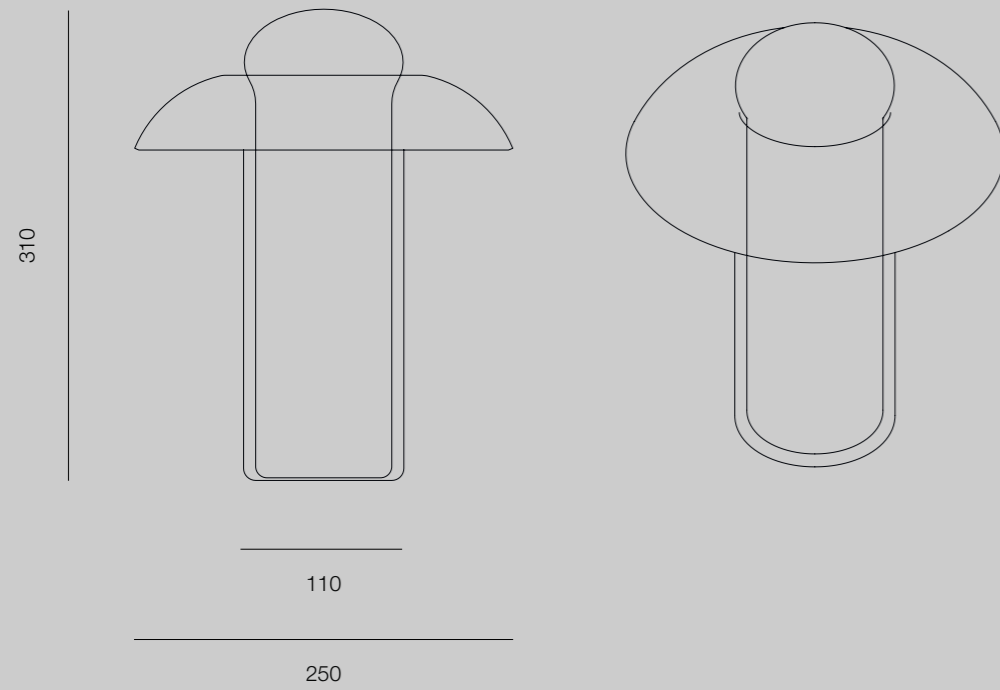


SO

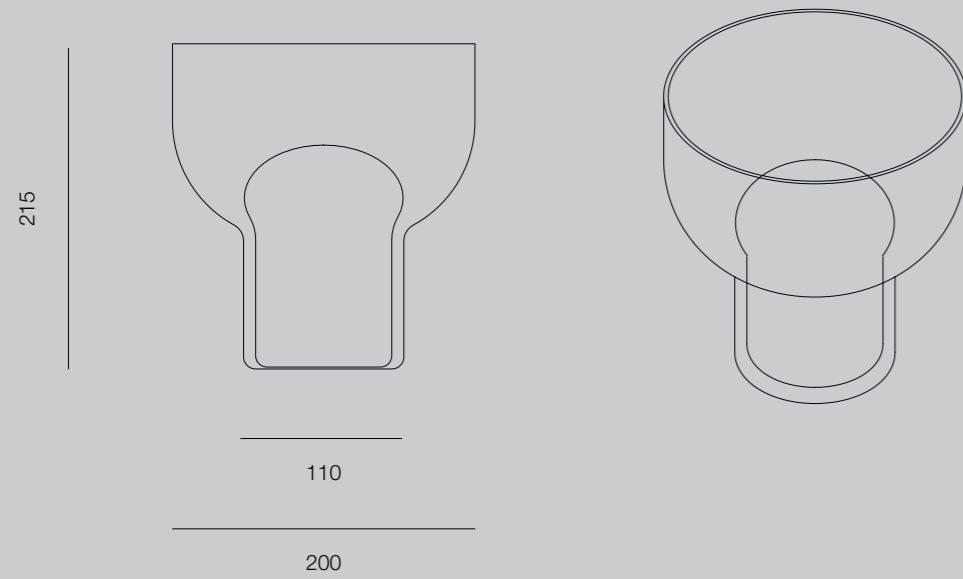
DIMENSIONS*

*Each glass piece is individually created so variations will occur

HARU



SO



DATA

| RP-E-2304 | HARU | SO |
|-----------------|--|----|
| LIGHTSOURCE | E27* | |
| POWER | MAX 24W | |
| PRIMARY VOLTAGE | 240VAC | |
| IP RATING | IP20 | |
| APPROVALS | AUSTRALIA, NEW ZEALAND, EUROPE (PENDING) | |

*GLOBES NOT SUPPLIED - LED GLOBE RECOMMENDED

TOM SKEEHAN

Skeehan Studio is an Australian-based creative company with a passion for problem-solving and collaboration. Established in 2011 by award-winning industrial designer Tom Skeehan, his team of research and design experts is dedicated to creating thoughtful products, spaces, and experiences tailored to the people and environments they are intended for.

Masters of material experimentation and innovation, Skeehan Studio takes traditional creative practices and applies them with the end-user front of mind. Through close and honest partnerships with local researchers, designers, and manufacturers, they are committed to delivering unique and effective solutions.

Tom brings over 10 years of experience leading creative design projects across multiple industry sectors. He is a professional problem solver who is passionate about collaboration and inspiring others to design great products. His ultimate goal is to build a global team that shares the value of collaboration, lifelong learning, and improving the ways we live, work, and play.

