



RUBELLI



Product scan (≈25x25 cm) or picture

## VELOUR                      ARMCHAIR-LAGO LEATHER OUTSIDE

### A12143-1

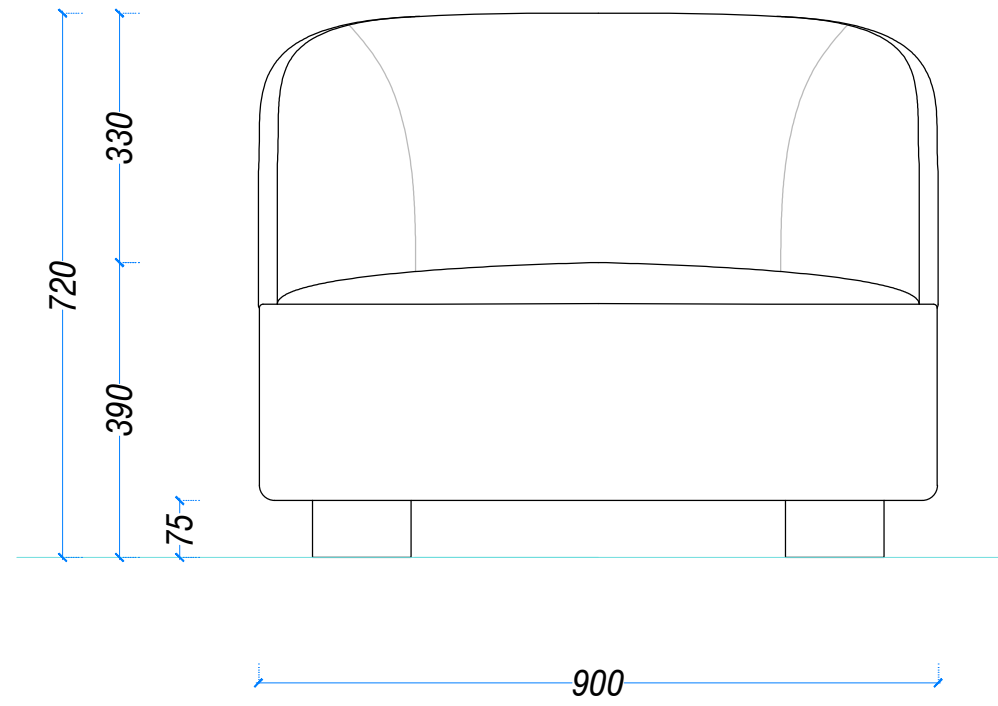
Velour is a seating range featuring generous, soft and inviting shapes. The curved shell which shapes the back and arms is in bent wood and can be upholstered in leather or fabric. The fabric details, such as the piping which enhances the curved outline of the seats or the double and single seams framing the shapes, underline the strongly crafted and sophisticated workmanship involved in the details.

*Velour è un sistema di sedute caratterizzato da forme generose, morbide ed accoglienti. La scocca curva, che definisce lo schienale e i braccioli, è realizzata in legno curvato e può essere rivestita in cuoio o tessuto. I dettagli tessili - come il piping che esalta il profilo curvo delle sedute oppure le cuciture doppie e singole che incorniciano le forme - sottolineano la fattura altamente artigianale e ricercata dei dettagli.*

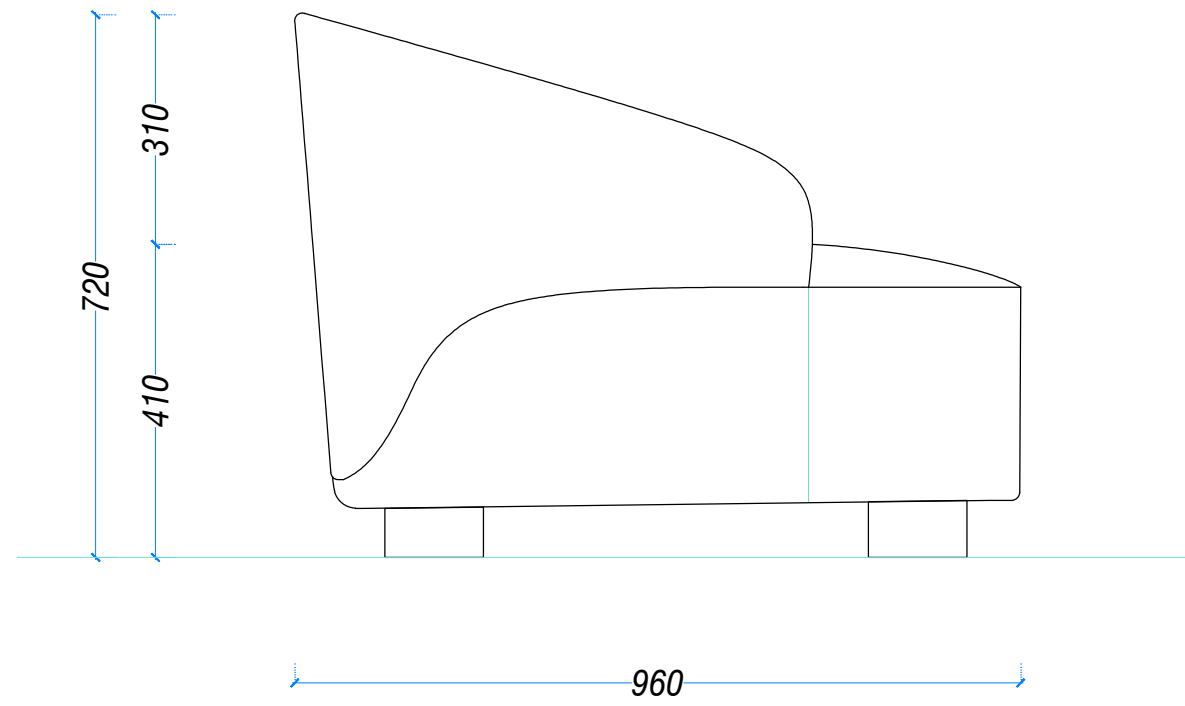
Velour est un système d'assises caractérisé par des formes généreuses, souples et accueillantes. La coque arrondie qui délimite le dossier et les accoudoirs, est réalisée en bois courbé et peut être revêtue en cuir ou en tissu. Les détails textiles – comme le passepoil qui accentue le profil bombé des assises ou les coutures, doubles ou simples, qui encadrent les formes – soulignent la facture résolument artisanale et recherchée des détails.



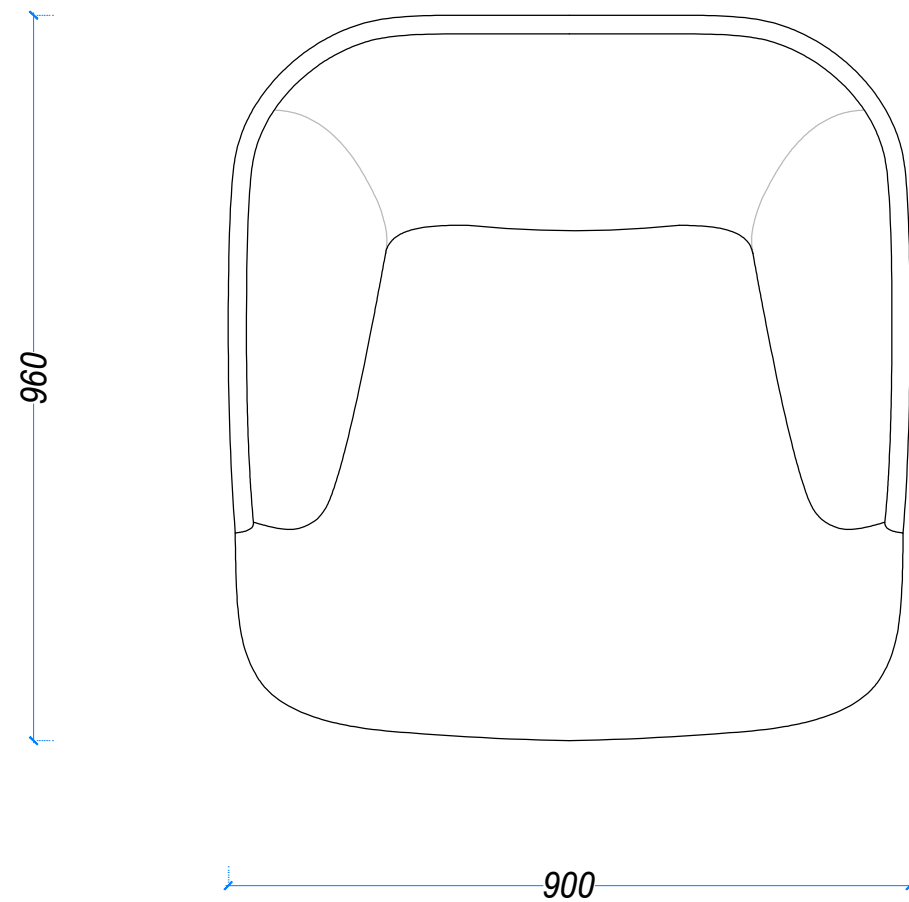
PROSPETTO FRONTALE



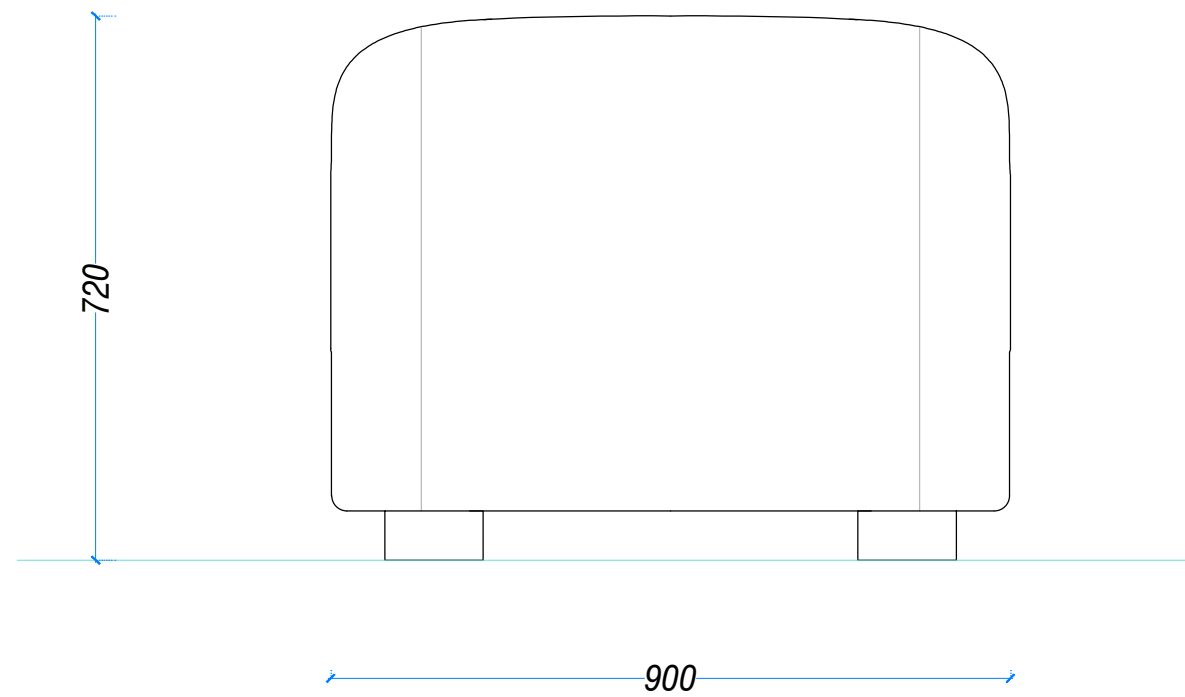
PROSPETTO LATERALE




PIANTA



PROSPETTO SCHIENALE



project <i>RUBELLI CASA 2020: VELOUR</i>					
description <i>VELOUR ARMCHAIR</i>		drawing number <i>A 12143</i>		rev.number <i>00</i>	
	<b>RUBELLI CASA</b>	drawer <i>L.S.</i>	check <i>D.M.</i>	date of issue <i>23/01/2020</i>	unit <i>mm</i>
<small>All information on this drawing are under property of Rubelli S.P.A., are confidential and must not be made public, reproduced or copied in whole or in part, except when it becomes necessary for the execution of the product in question for Rubelli S.P.A. This drawing and all duplicates must always be returned to Rubelli S.P.A. after the completion of the works.</small>					scale <i>1:10 @ A3</i>
					sheet <i>01/01</i>