

BUSTER + PUNCH  
LONDON



[ range. **CUSTOM ELECTRICITY.** ]

# BUSTER+PUNCH

LONDON

[ product.

## EUROPEAN CUSTOM ELECTRICITY. ]

Buster + Punch's Electricity collection is a one-stop solution that effortlessly ties together entire spaces, homes and contract interiors. The units feature a flat plate and are crowned with our trademark coin screws and diamond-cut knurled knobs and toggles – for unrivalled tactility.

Select from complete solid metal fixtures in white, steel, brass, smoked bronze and black with additional detail kits for customisation. The range is optimised, fully engineered and code approved for European residential and contract applications.

[ how. **CREATE YOUR OWN CUSTOM SWITCH, DIMMER OR MODULE DESIGNS.** ]



## CONTENTS

TOGGLE SWITCHES	3
DIMMERS	7
SOCKETS / SCHUKO TYPE F	10
1G-4G WALL PLATES / HORIZONTAL	14
2G-4G WALL PLATES / VERTICAL	19
WALL PLATES / NO INFILL	23
SOCKET MODULES	29
MODULES	30
SWITCH MODULES	32
DIMMER MODULES	33
DIMMER MODULES	34
BACKBOXES	35

## EXAMPLE 2



### MODULE

[ module. **DOUBLE TOGGLE.** ]  
[ module. **DIMMER.** ]  
[ module. **DIMMER.** ]

### PLATE

[ plate. **3G BLACK.** ]

### DETAIL KIT

[ module. **TOGGLE / BRASS.** ]  
[ module. **DIMMER / BRASS.** ]  
[ module. **OUTLET / BRASS.** ]

# BUSTER+PUNCH

LONDON

[ product.

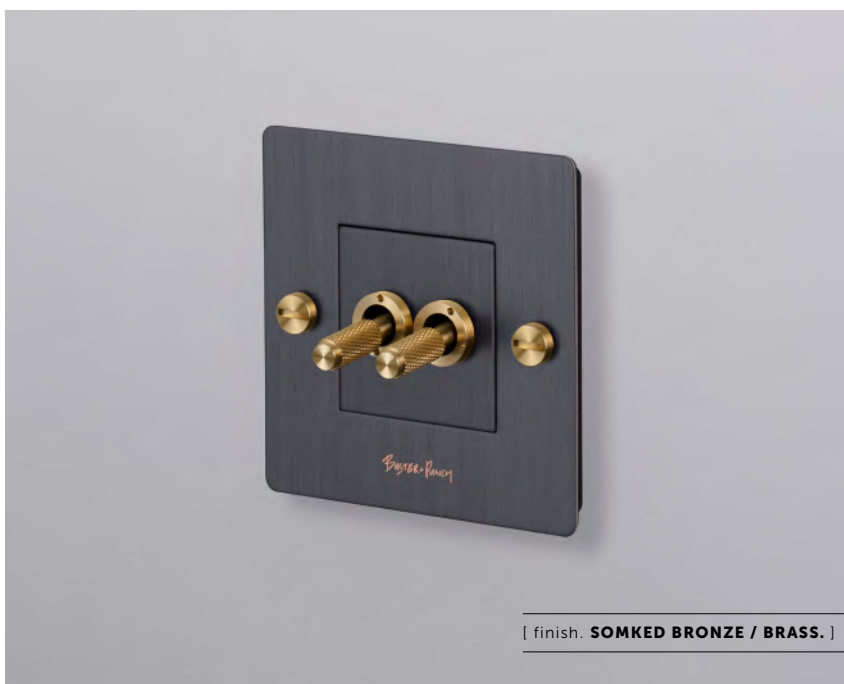
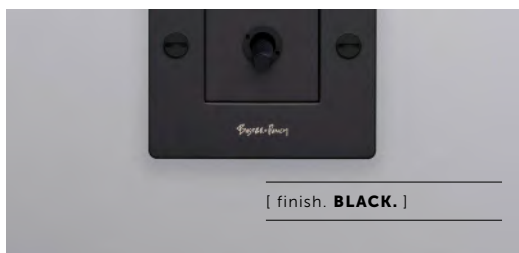
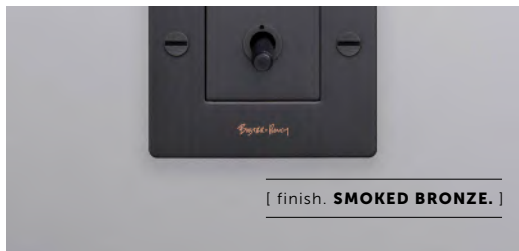
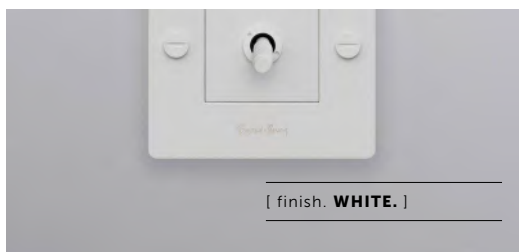
## TOGGLE SWITCHES

[ knurl. **CROSS.** ]

[ range. **ELECTRICITY.** ]

[ born. **LONDON.** ]

A solid metal toggle switch with diamond-cut knurling. The switch is finished with a solid metal flat plate and our signature coin screws. Available in five different finishes, they can be used in combination with our matching dimmers, sockets and USB outlets



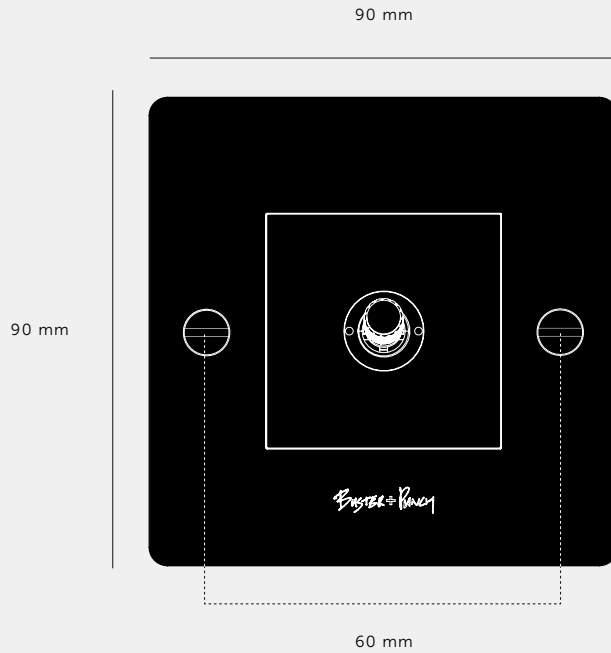
---

[ type. **1G TOGGLE SWITCH.** ]

---

[ info. **MEASUREMENTS.** ]

---



---

[ info. **SPECIFICATIONS.** ]

---

A 1G toggle switch. The toggle arm is made from solid metal and features our signature, diamond-cut, cross knurl pattern. This switch is 2 way.

---

[ info. **SPECIFICATIONS.** ]

---

Module Code: CTM-142035 (1 per unit)

Style: On / Off Toggle Switch

10AX 250VAC ONLY

2 way switching (can be controlled from 2 locations)

\*Certified for use in UK, Europe and Russia :

UKCA / CE / EAC

---

[ info. **FINISH & SKU NUMBERS.** ]

---

[ finish. ]

[ sku. ]

White	CTG-141964
Steel	CTG-071967
Brass	CTG-051966
Smoked Bronze	CTG-091968
Black	CTG-021965

---

[ info. **CARE INSTRUCTIONS.** ]

---

Wipe with lint free cloth with no loose hairs, avoid using any chemicals. Please note that finishes may age naturally with time and regular use.

---

[ please. **NOTE.** ]

---

DISCLAIMER: Always consult a trade professional when installing this toggle switch. Buster + Punch is not responsible for the usage or feasibility of installation requirements. This product is not suitable for lint free or wet environments.

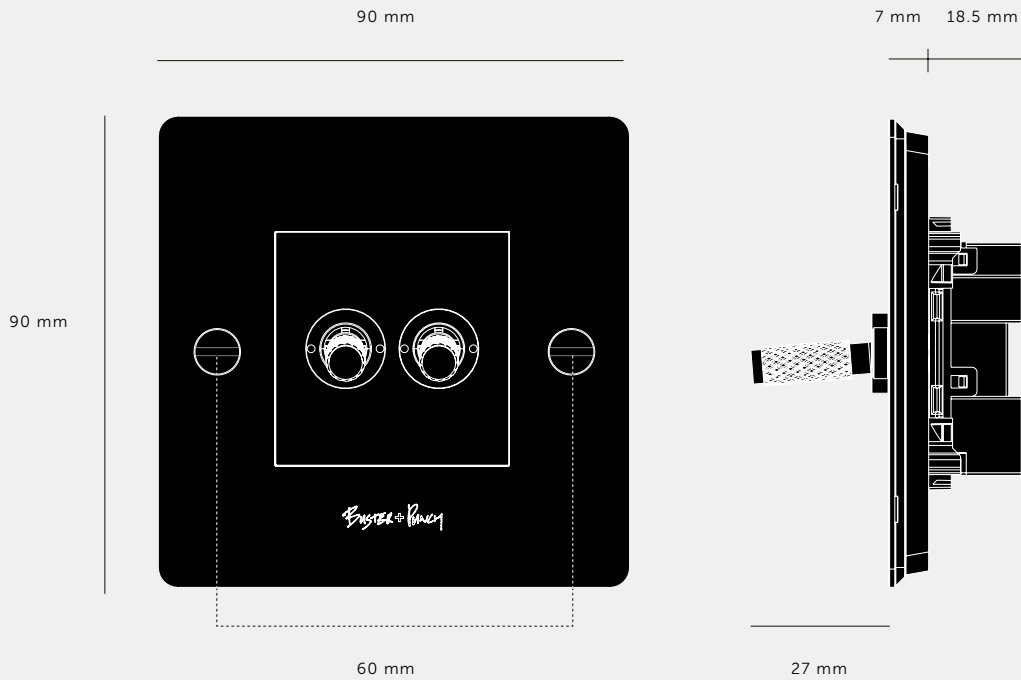
---

[ type. **2G TOGGLE SWITCH.** ]

---

[ info. **MEASUREMENTS.** ]

---



---

[ info. **SPECIFICATIONS.** ]

---

A 1G double toggle switch. The toggle arm is made from solid metal and features our signature, diamond-cut, cross knurl pattern. This switch is 2 way.

---

[ info. **SPECIFICATIONS.** ]

---

Module Code: CTM-142035 (2 per unit)

Style: On / Off Toggle Switch

10AX 250VAC ONLY

2 way switching (can be controlled from 2 locations)

\*Compatible with 2-3 Way switching

\*Certified for use in UK, Europe and Russia: CE / EAC

---

[ info. **FINISH & SKU NUMBERS.** ]

---

[ finish. ]

[ sku. ]

● White	CTG-141969
● Steel	CTG-071972
● Brass	CTG-051971
● Smoked Bronze	CTG-091973
● Black	CTG-021970

---

[ info. **CARE INSTRUCTIONS.** ]

---

Wipe with lint free cloth with no loose hairs, avoid using any chemicals. Please note that finishes may age naturally with time and regular use.

---

[ please. **NOTE.** ]

---

DISCLAIMER: Always consult a trade professional when installing this toggle switch. Buster + Punch is not responsible for the usage or feasibility of installation requirements. This product is not suitable for lint free or wet environments.

CATEGORY	QUESTION	ANSWER
<b>TOGGLE</b>	Do you stock an intermediate (3 way switch)?	Yes, you can select the intermediate switch module in the 'custom plates and modules' option. Intermediate 3 way Toggle Switch (CTM-142037)
<b>TOGGLE</b>	Are your switches suitable for smart homes?	We produce a Single Throw 2-way retractive switch (CTM-142036); it is sprung and sends a momentary signal returning to its original state after being pressed. It's useful in smart home applications because that signal can be programmed to trigger a wide variety of functions.
<b>CUSTOMISE</b>	Can I customise the appearance of my toggle switch?	Our toggle modules are customisable with interchangeable 'detail kits' in five finishes. Refer to our website for options, or contact one of our sales representatives for more information.
<b>CUSTOMISE</b>	I need more than 2 switches in the same location. Do I need to have separate plates?	Aside from our single and double toggle complete products, we supply plates up to 4G with interchangeable modules and detail kits for ultra-flexibility. Please refer to our website for purchasing options, or contact one of our sales representatives for more information.
<b>CUSTOMISE</b>	Can I combine different modules on the same plate?	Our plates are designed to fit a combination of sockets, dimmers and toggles. Please refer to our website for options, or contact one of our sales representatives for more information.
<b>INSTALL</b>	Can I install my toggle myself?	We strongly recommend that our products are always installed by a qualified electrician. Always refer to the safety notices within the instruction manual before attempting any electrical installation.

# BUSTER+PUNCH

LONDON

[ product.

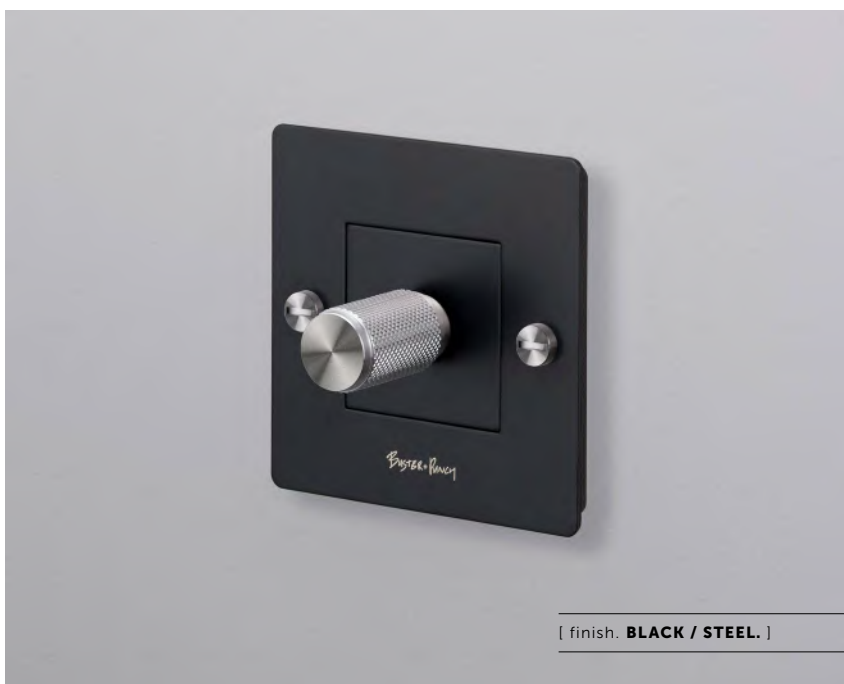
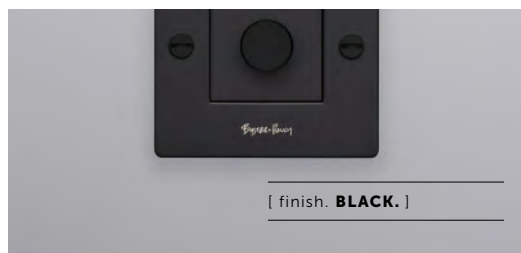
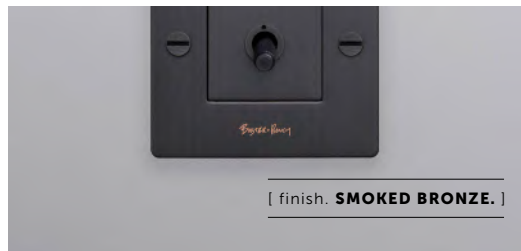
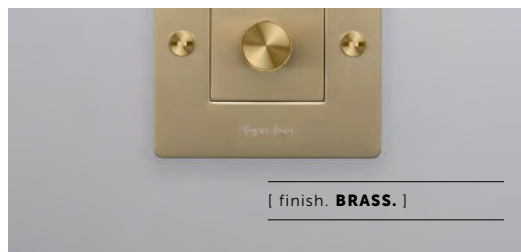
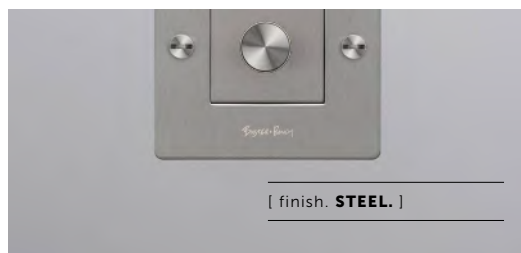
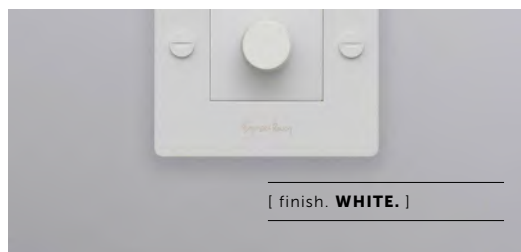
## DIMMERS

[ knurl. **CROSS.** ]

[ range. **ELECTRICITY.** ]

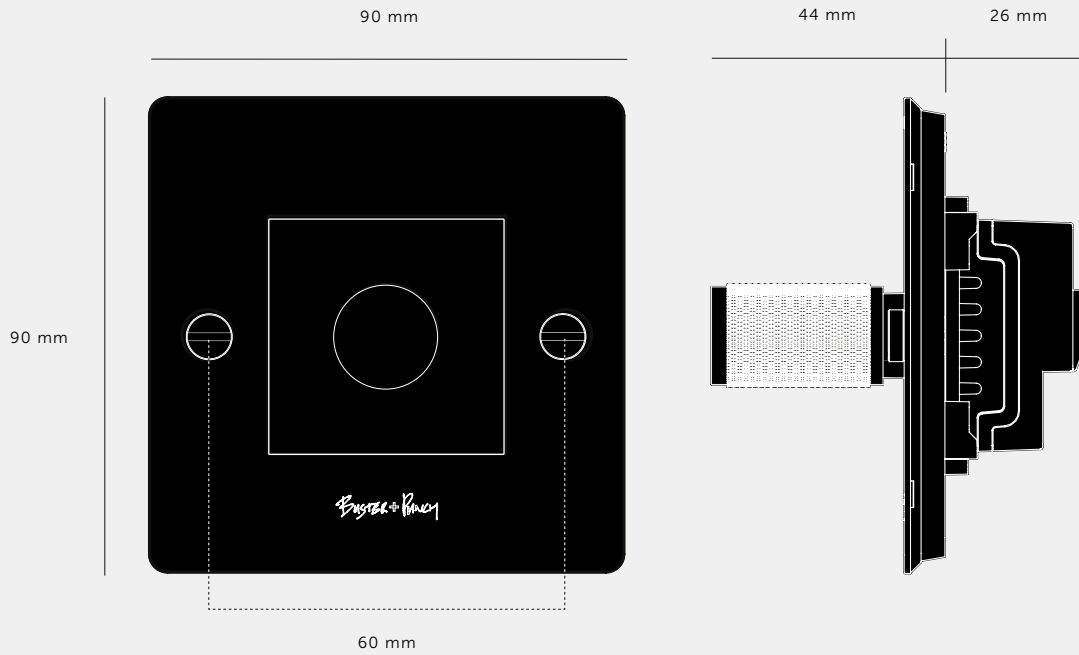
[ born. **LONDON.** ]

A solid metal dimmer switch with diamond-cut knurling. The switch is finished with a solid metal flat plate and our signature coin screws. Available in five different finishes, they can be used in combination with our matching toggle switches, sockets and USB outlets.



[ type. **DIMMER MODULE/ 250W LED/ RETRACTIVE MULTI-LOCATION.** ]

[ info. **MEASUREMENTS.** ]



[ info. **SPECIFICATIONS.** ]

A 1G dimmer switch. Includes matching solid metal dimmer knob with our signature cross-knurl and coin screws.

Retractive switch compatible only, 250W LED (max).

[ info. **SPECIFICATIONS.** ]

Module Code: CDM-142038 (1 per unit)

Style: Push ON/OFF rotary dimmer with multi location dimming via retractive switches.

Input: 240VAC ~ 50Hz

Dimming Type:

Auto Detect Trailing / Leading edge dimming

10-350W: When used with incandescent lamps

3-250W: When used with dimmable LED lamps.

Operating Temperature: 0-55 C Humidity: 10-90% R.H .

Certified for use in UK, Europe and Russia: UKCA / CE / EAC

\*Not compatible with regular retractive switching

[ info. **CARE INSTRUCTIONS.** ]

Wipe with lint free cloth with no loose hairs, avoid using any chemicals. Please note that finishes may age naturally with time and regular use.

[ info. **FINISH & SKU NUMBERS.** ]

[ finish. ]	[ sku. ]
White	CDR-141974
Steel	CDR-071977
Brass	CDR-051976
Smoked Bronze	CDR-091978
Black	CDR-021975

[ please. **NOTE.** ]

DISCLAIMER: Always consult a trade professional when installing this toggle switch. Buster + Punch is not responsible for the usage or feasibility of installation requirements. This product is not suitable for lint free or wet environments.



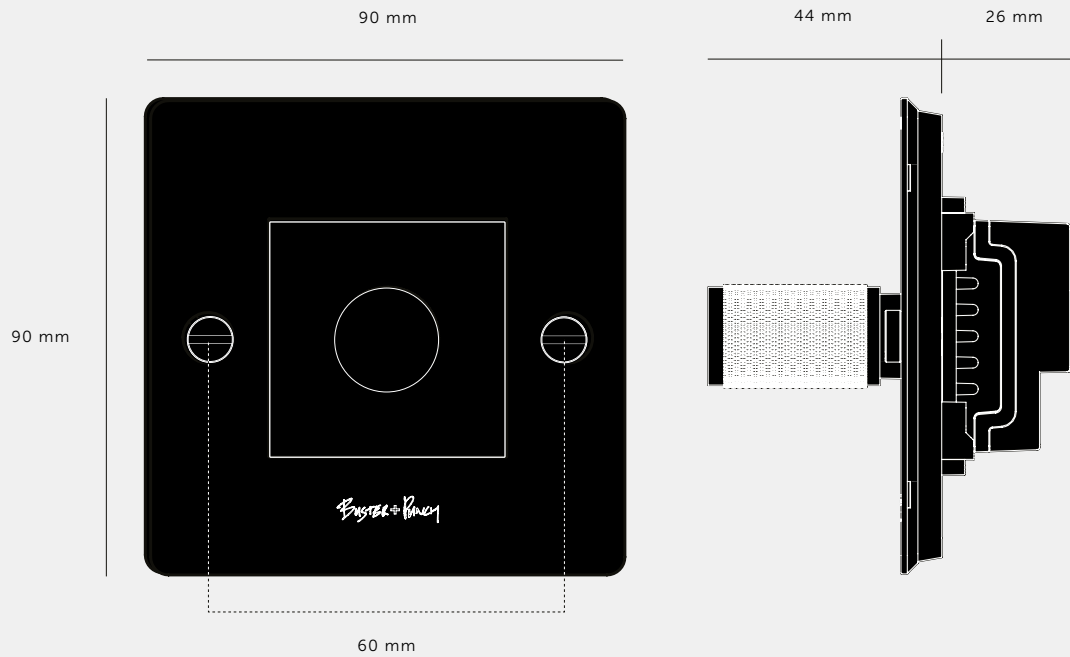
---

[ type. **DIMMER MODULE / 100W LED / 2 WAY** ]

---

[ info. **MEASUREMENTS.** ]

---



---

[ info. **SPECIFICATIONS.** ]

---

A 1G dimmer switch. Includes matching solid metal dimmer knob with our signature cross-knurl and coin screws.

2-3 way switch compatible only, 100w LED (max).

---

[ info. **SPECIFICATIONS.** ]

---

Module Code: CDM-012405 (1 per unit)

Style: Push ON/OFF rotary dimmer with 2 way switching

Compatible with regular 2-3 Way switching

Input: 250VAC 50Hz

Dimming Type: Trailing edge dimming

10-250W: When used with incandescent lamps

2-100W: When used with dimmable LED lamps.

Operating Temperature: 0 - 55 C Humidity: 10 - 90% R.H.

Certified for use in UK, Europe and Russia: UKCA / CE / EAC

\*Not compatible with retractive switching.

---

[ info. **CARE INSTRUCTIONS.** ]

---





Wipe clean with a dry, non-abrasive microfiber cloth. Avoid use of chemical cleaners. Please note that finishes may age naturally with time and regular use.

---

[ info. **FINISH & SKU NUMBERS.** ]

---

[ finish. ]

-  White
-  Steel
-  Brass
-  Smoked Bronze
-  Black

[sku. ]

CDR-142385

CDR-072388

CDR-052387

CDR-092389

CDR-022386

---

[ please. **NOTE.** ]

---

DISCLAIMER: Always consult a trade professional when installing this dimmer switch. Buster + Punch is not responsible for the usage or feasibility of installation requirements. This product is not suitable for lint free or wet environments.

# BUSTER+PUNCH

LONDON

[ product.

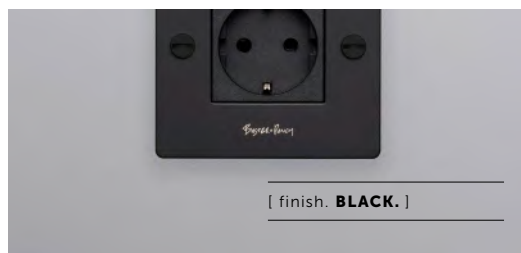
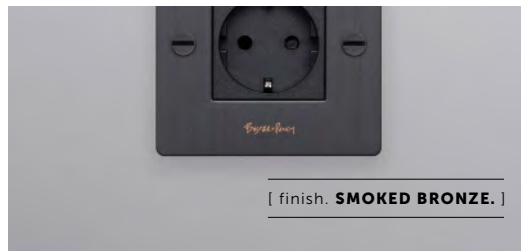
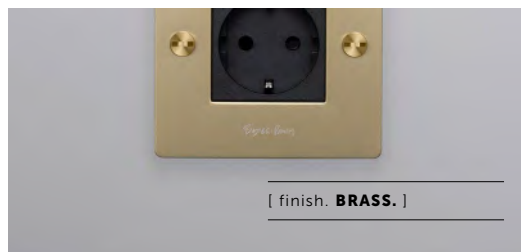
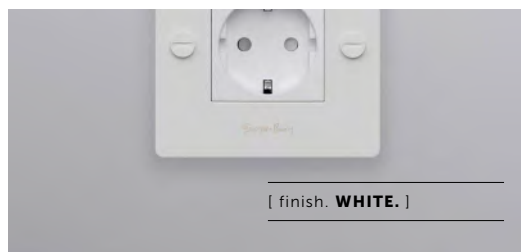
## SOCKETS / SCHUKO TYPE F

[ knurl. **CROSS.** ]

[ range. **ELECTRICITY.** ]

[ born. **LONDON.** ]

A power outlet finished with a solid metal flat plate and our signature coin screws. Available in five different finishes, they can be used in combination with our matching dimmers and toggle switches.



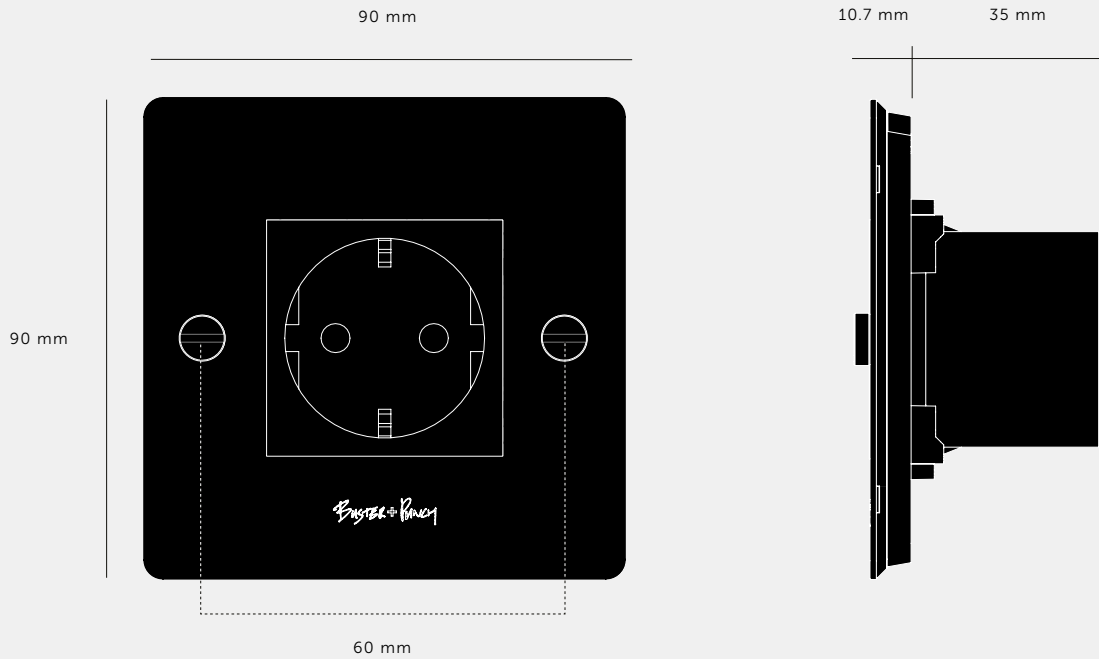
---

[ type. **1G SCHUKO TYPE F SOCKET .** ]

---

[ info. **MEASUREMENTS.** ]

---



---

[ info. **SPECIFICATIONS.** ]

---

\*For white products, module is finished in white.  
For all other finishes (steel, brass, smoked bronze, black),  
module is finished in black.

---

[ info. **SPECIFICATIONS.** ]

---

Module Code: CSM-021896/ CSM-141904 (1 per unit)

Style: Schuko Socket Type F

Outlet: 250 V ~ / 50-60 Hz / 16A

\*Certified for use in UK, Europe and Russia: UKCA / CE / EAC

---

[ info. **FINISH & SKU NUMBERS.** ]

---

[ finish. ]

[ sku. ]

White	CSC-141979
Steel	CSC-071982
Brass	CSC-051981
Smoked Bronze	CSC-091983
Black	CSC-021980

---

[ info. **CARE INSTRUCTIONS.** ]

---

Wipe with lint free cloth with no loose hairs, avoid using any  
chemicals. Please note that finishes may age naturally with  
time and regular use.

---

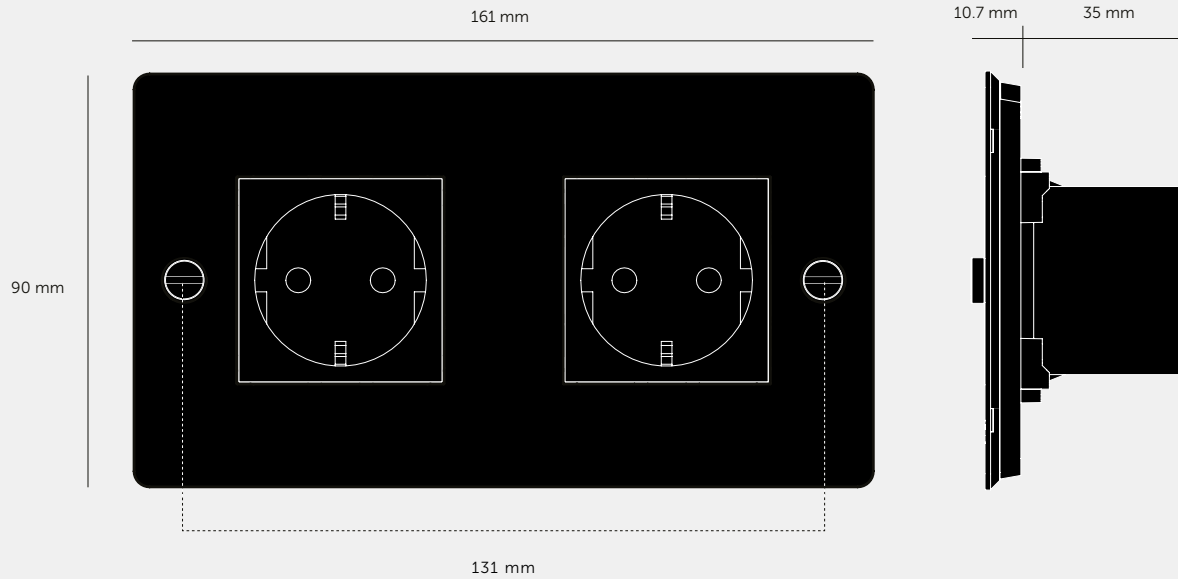
[ please. **NOTE.** ]

---

DISCLAIMER: Always consult a trade professional when installing  
this socket. Buster + Punch is not responsible for the usage  
or feasibility of installation requirements. This product is not  
suitable for lint free or wet environments.

[ type. **2G SCHUKO TYPE F SOCKET.** ]

[ info. **MEASUREMENTS.** ]



[ info. **SPECIFICATIONS.** ]

\*For white products, module is finished in white.  
For all other finishes (steel, brass, smoked bronze, black),  
module is finished in black.

[ info. **SPECIFICATIONS.** ]






Module Code: CSM-021896 / CSM-141904 (2 per unit)

Style: Schuko Socket Type F

Outlet: 250 V ~ / 50-60 Hz / 16A

\*Certified for use in UK, Europe and Russia: UKCA / CE / EAC

[ info. **FINISH & SKU NUMBERS.** ]

[ finish. ]	[ sku. ]
 White	CSC-141984
 Steel	CSC-071987
 Brass	CSC-051986
 Smoked Bronze	CSC-091988
 Black	CSC-021985

[ info. **CARE INSTRUCTIONS.** ]

Wipe with lint free cloth with no loose hairs, avoid using any  
chemicals. Please note that finishes may age naturally with  
time and regular use.

[ please. **NOTE.** ]

DISCLAIMER: Always consult a trade professional when installing  
this toggle switch. Buster + Punch is not responsible for the  
usage or feasibility of installation requirements. This product is  
not suitable for lint free or wet environments.

---

[ type. **SOCKET.** ]

---

[ info. **FAQ SHEET.** ]

---

<b>CATEGORY</b>	<b>QUESTION</b>	<b>ANSWER</b>
<b>CUSTOMISE</b>	Can I customise the appearance of my sockets?	Our plates are customisable with interchangeable 'detail kits' in five finishes. Please refer to our website for colour options.
<b>CUSTOMISE</b>	Can I combine different modules on the same plate?	Our plates are designed to accommodate a combination of modules, from 1G - 4G. Please refer to our website for purchasing options or contact one of our sales representatives for more information.
<b>INSTALL</b>	Can I install my socket myself?	We strongly recommend that our products are always installed by a qualified electrician. Always refer to the safety notices within the instruction manual before attempting any electrical installation.
<b>INSTALL</b>	Will this socket work with my existing wall box?	Please reference the key dimensions of the module and mounting holes when checking compatibility.



# BUSTER+PUNCH

LONDON

[ product. ]

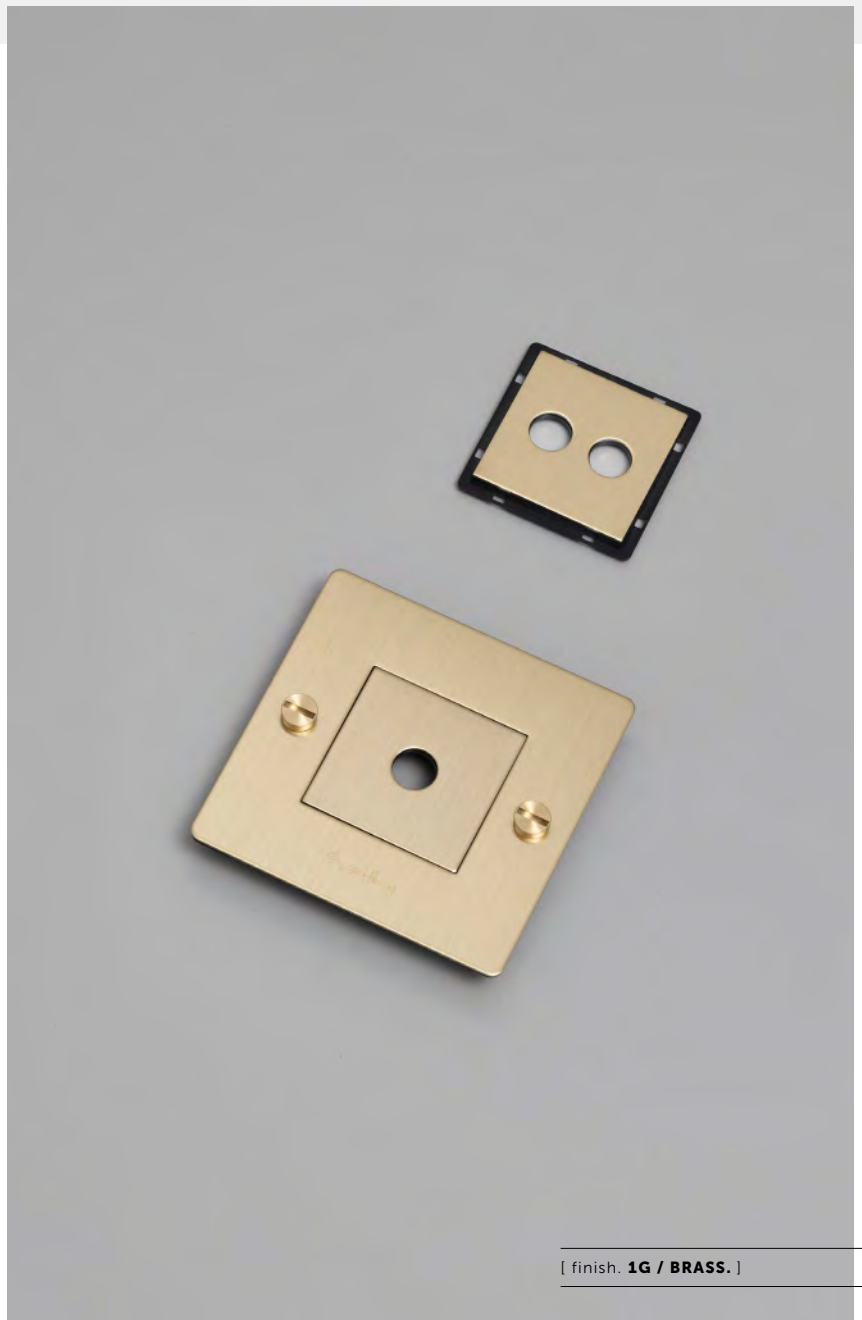
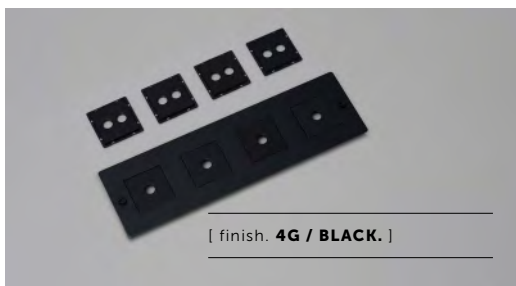
## 1G-4G WALL PLATES / HORIZONTAL

[ with. **INFILLS.** ]

[ range. **ELECTRICITY.** ]

[ detail. **COIN SCREW.** ]

EU Plates are made in a variety of finishes with our signature solid metal coin screws. EU plates can be combined with module inserts to suit all your electrical, data, sound & AV needs. Module inserts can be purchased separately.



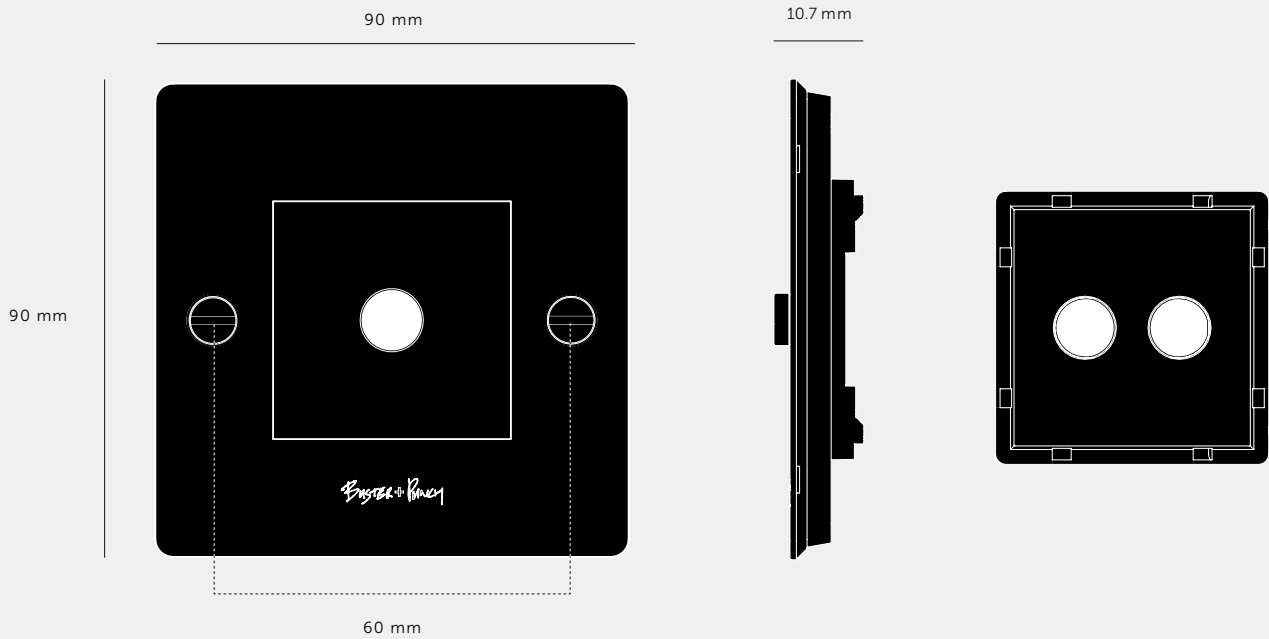
---

[ type. **1G WALL PLATE.** ]

---

[ info. **MEASUREMENTS.** ]

---



---

[ info. **SPECIFICATIONS.** ]

---

Each plate fits: up to 2 switches / 1 dimmer.

\*For white products, module is finished in white.

For all other finishes (steel, brass, smoked bronze, black), module is finished in black.

---

[ info. **RECOMMENDED.** ]

---






Each plate fits: up to 2 switches / 1 dimmer.

1G back box - depth depending on module insert.

---

[ info. **FINISH & SKU NUMBERS.** ]

---

[ finish. ]	[ sku. ]
 White	CPL-141989
 Steel	CPL-071992
 Brass	CPL-051991
 Smoked Bronze	CPL-091993
 Black	CPL-021990

---

[ info. **CARE INSTRUCTIONS.** ]

---

Wipe with lint free cloth with no loose hairs, avoid using any chemicals. Please note that finishes may age naturally with time and regular use.

---

[ please. **NOTE.** ]

---

DISCLAIMER: Always consult a trade professional when installing this wall plate. Buster + Punch is not responsible for the usage or feasibility of installation requirements. This product is not suitable for lint free or wet environments.

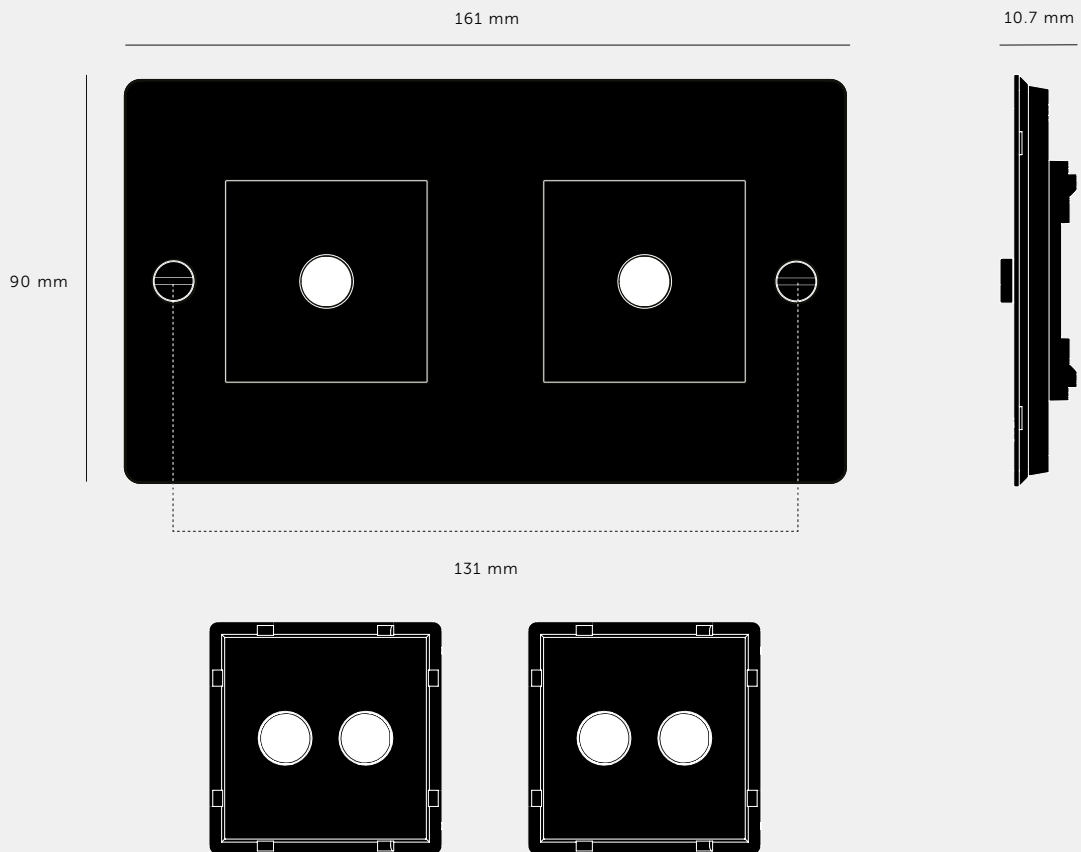
---

[ type. **2G WALL PLATE.** ]

---

[ info. **MEASUREMENTS.** ]

---



---

[ info. **SPECIFICATIONS.** ]

---

Each plate opening fits up to:

2 switches / 1 dimmer / 1 power / 1 module insert.

\*For white products, module is finished in white.

For all other finishes (steel, brass, smoked bronze, black),  
module is finished in black.

---

[ info. **RECOMMENDED.** ]

---

2G back box - depth depending on module insert.

---

[ info. **FINISH & SKU NUMBERS.** ]

---

[ finish. ]

[ sku. ]

● White	CPL-141994
● Steel	CPL-071997
● Brass	CPL-051996
● Smoked Bronze	CPL-091998
● Black	CPL-021995

---

[ info. **CARE INSTRUCTIONS.** ]

---

Wipe with lint free cloth with no loose hairs, avoid using any  
chemicals. Please note that finishes may age naturally with  
time and regular use.

---

[ please. **NOTE.** ]

---

DISCLAIMER: Always consult a trade professional when installing  
this wall plate. Buster + Punch is not responsible for the usage  
or feasibility of installation requirements. This product is not  
suitable for lint free or wet environments.



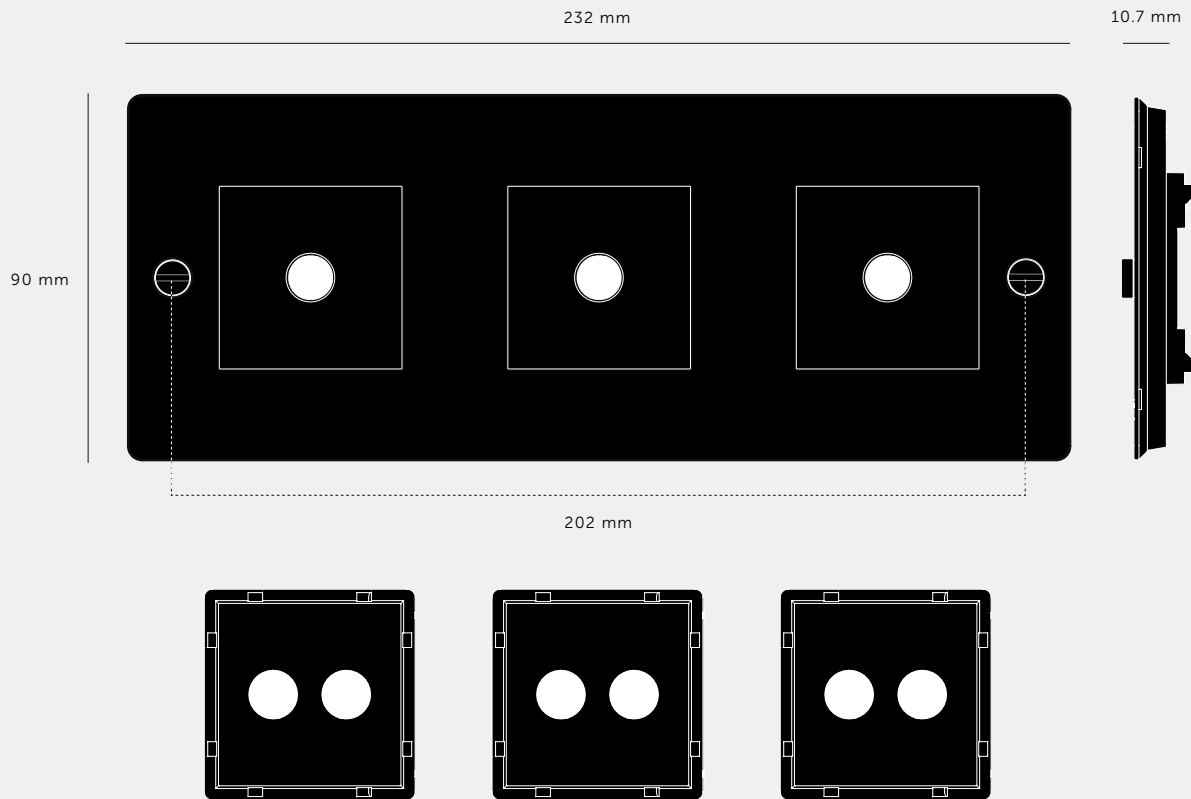
---

[ type. **3G WALL PLATE.** ]

---

[ info. **MEASUREMENTS.** ]

---



---

[ info. **SPECIFICATIONS.** ]

---

Each plate opening fits up to 2 switches / 1 dimmer / 1 power / 1 module insert.

\*For white products, Socket & data inserts are finished in white. For all other finishes (steel, brass, smoked bronze, black), inserts are finished in black except for Swiss, Danish and Italian sockets, which are graphite.

---

[ info. **RECOMMENDED.** ]

---

3G back box - depth depending on module insert.

---

[ info. **FINISH & SKU NUMBERS.** ]

---

[ finish. ]	[ sku. ]
● White	CPL-141999
● Steel	CPL-072002
● Brass	CPL-052001
● Smoked Bronze	CPL-092003
● Black	CPL-022000

---

[ info. **CARE INSTRUCTIONS.** ]

---

Wipe with lint free cloth with no loose hairs, avoid using any chemicals. Please note that finishes may age naturally with time and regular use.

---

[ please. **NOTE.** ]

---

DISCLAIMER: Always consult a trade professional when installing this wall plate. Buster + Punch is not responsible for the usage or feasibility of installation requirements. This product is not suitable for lint free or wet environments.

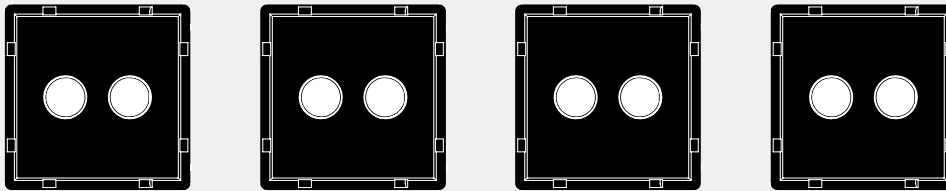
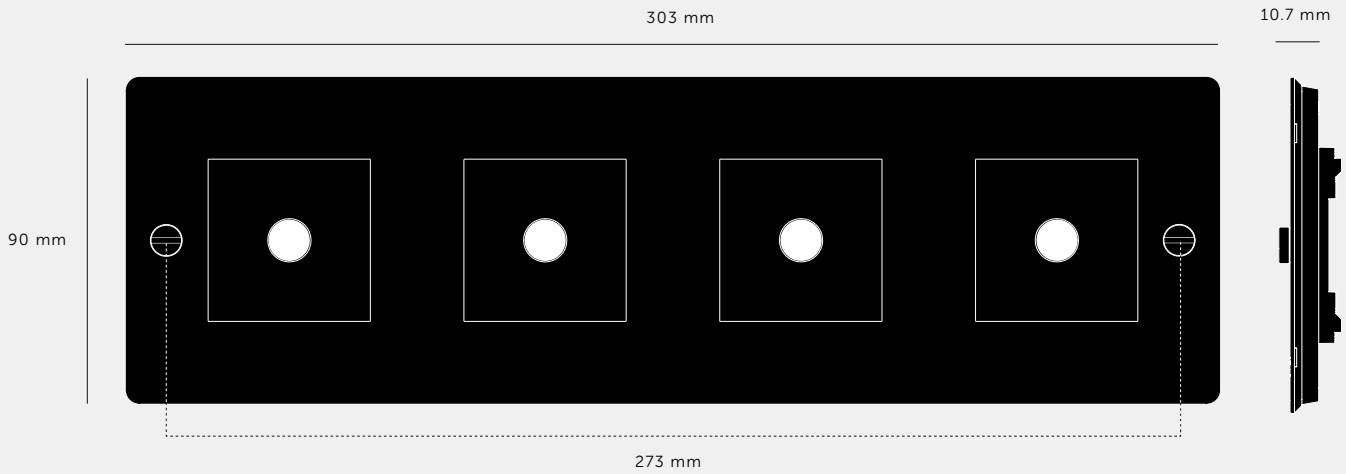
---

[ type. **4G WALL PLATE.** ]

---

[ info. **MEASUREMENTS.** ]

---



---

[ info. **SPECIFICATIONS.** ]

---

Each plate opening fits up to 2 switches / 1 dimmer / 1 power / 1 module insert.

\*For white products, Socket & module inserts are finished in white. For all other finishes (steel, brass, smoked bronze, black), inserts are finished in black except for Swiss, Danish and Italian sockets, which are graphite.

---

[ info. **RECOMMENDED.** ]

---

4G back box - depth depending on module insert.

---

[ info. **FINISH & SKU NUMBERS.** ]

---

[ finish. ]	[ sku. ]
● White	CPL-142004
● Steel	CPL-072007
● Brass	CPL-052006
● Smoked Bronze	CPL-092008
● Black	CPL-022005

---

[ info. **CARE INSTRUCTIONS.** ]

---

Wipe with lint free cloth with no loose hairs, avoid using any chemicals. Please note that finishes may age naturally with time and regular use.

---

[ please. **NOTE.** ]

---

DISCLAIMER: Always consult a trade professional when installing this wall plate. Buster + Punch is not responsible for the usage or feasibility of installation requirements. This product is not suitable for lint free or wet environments.

# BUSTER+PUNCH

LONDON

[ product.

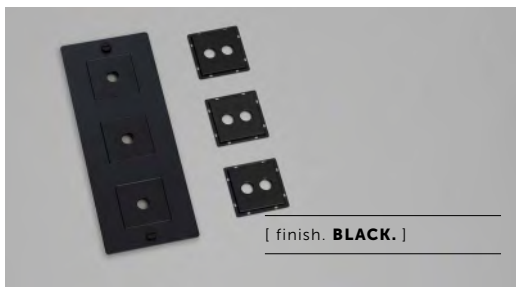
## 2G-4G WALL PLATES / VERTICAL

[ knurl. **CROSS.** ]

[ range. **ELECTRICITY.** ]

[ born. **LONDON.** ]

EU Plates are made in a variety of finishes with our signature solid metal coin screws. EU plates can be combined with module inserts to suit all your electrical, data, sound & AV needs. Module inserts can be purchased separately.



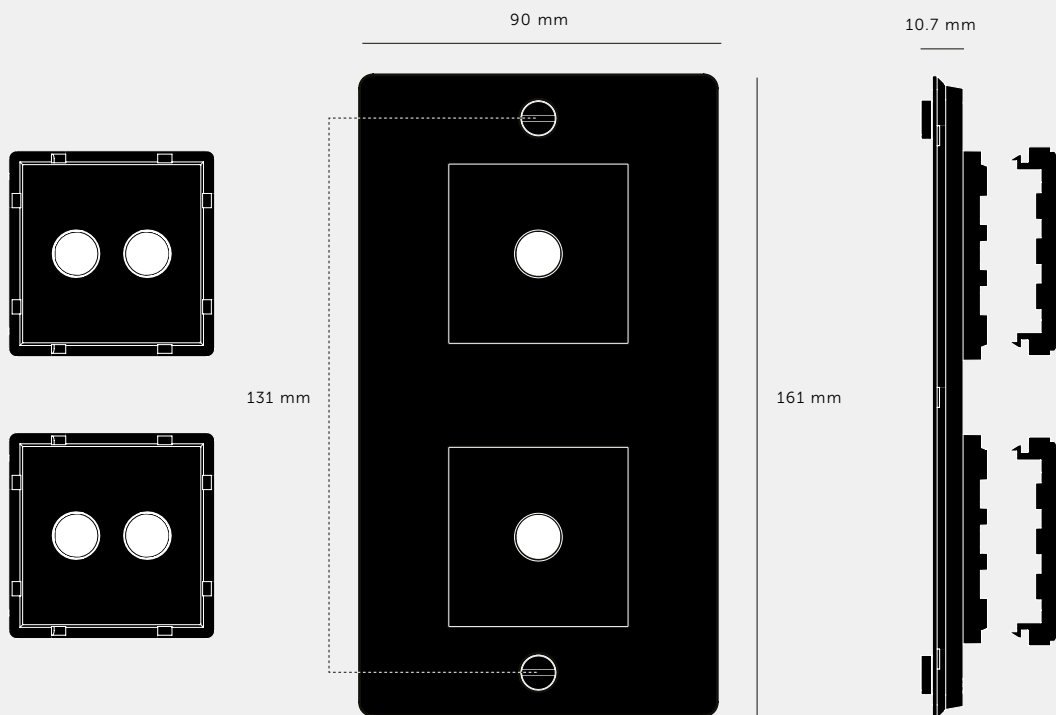
---

[ type. **2G WALL PLATE.** ]

---

[ info. **MEASUREMENTS.** ]

---



---

[ info. **SPECIFICATIONS.** ]

---

Each plate opening fits up to 2 switches / 1 dimmer / 1 power / 1 module insert.

\*For white products, Socket & module inserts are finished in white. For all other finishes (steel, brass, smoked bronze, black), inserts are finished in black except for Swiss, Danish and Italian sockets, which are graphite.

---

[ info. **RECOMMENDED.** ]

---

2G back box - depth depending on module insert.

---

[ info. **FINISH & SKU NUMBERS.** ]

---

[ finish. ]	[ sku. ]
● White	CPL-142390
● Steel	CPL-072393
● Brass	CPL-052392
● Smoked Bronze	CPL-092394
● Black	CPL-022391

---

[ info. **CARE INSTRUCTIONS.** ]

---

Wipe with lint free cloth with no loose hairs, avoid using any chemicals. Please note that finishes may age naturally with time and regular use.

---

[ please. **NOTE.** ]

---

DISCLAIMER: Always consult a trade professional when installing this wall plate. Buster + Punch is not responsible for the usage or feasibility of installation requirements. This product is not suitable for lint free or wet environments.

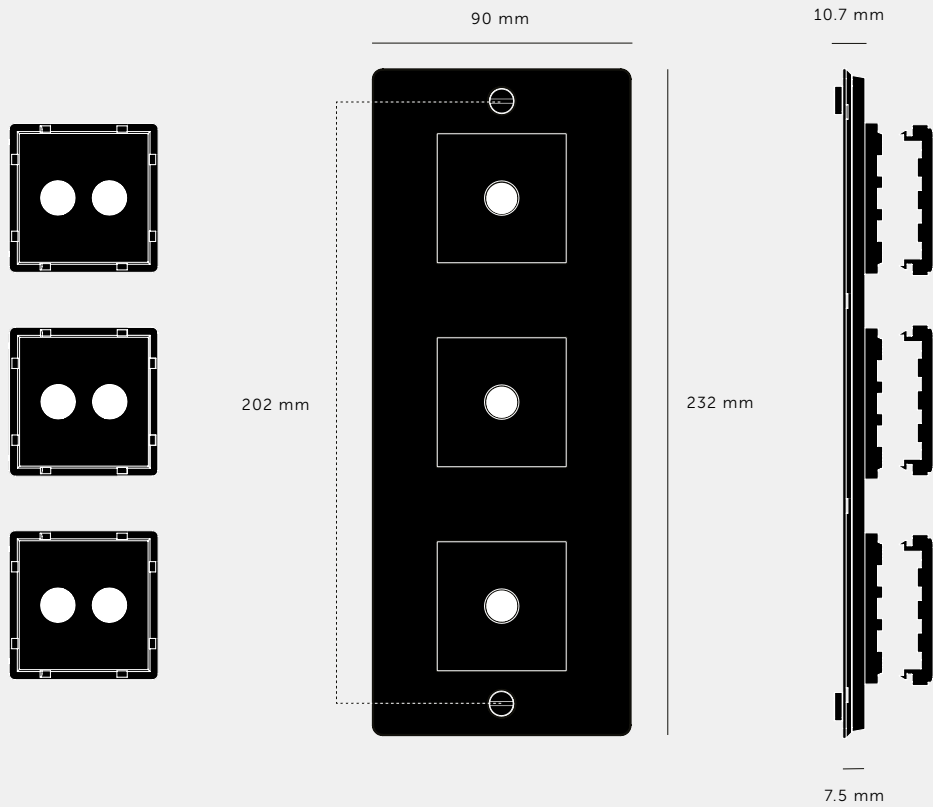
---

[ type. **3G WALL PLATE.** ]

---

[ info. **MEASUREMENTS.** ]

---



---

[ info. **SPECIFICATIONS.** ]

---

Each plate opening fits up to 2 switches / 1 dimmer / 1 power / 1 module insert.

\*For white products, Socket & module inserts are finished in white. For all other finishes (steel, brass, smoked bronze, black), inserts are finished in black except for Swiss, Danish and Italian sockets, which are graphite.

---

[ info. **RECOMMENDED.** ]

---

3G back box - depth depending on module insert.

---

[ info. **FINISH & SKU NUMBERS.** ]

---

[ finish. ]	[ sku. ]
● White	CPL-142395
● Steel	CPL-072398
● Brass	CPL-052397
● Smoked Bronze	CPL-092399
● Black	CPL-022396

---

[ info. **CARE INSTRUCTIONS.** ]

---

Wipe with lint free cloth with no loose hairs, avoid using any chemicals. Please note that finishes may age naturally with time and regular use.

---

[ please. **NOTE.** ]

---

DISCLAIMER: Always consult a trade professional when installing this wall plate. Buster + Punch is not responsible for the usage or feasibility of installation requirements. This product is not suitable for lint free or wet environments.

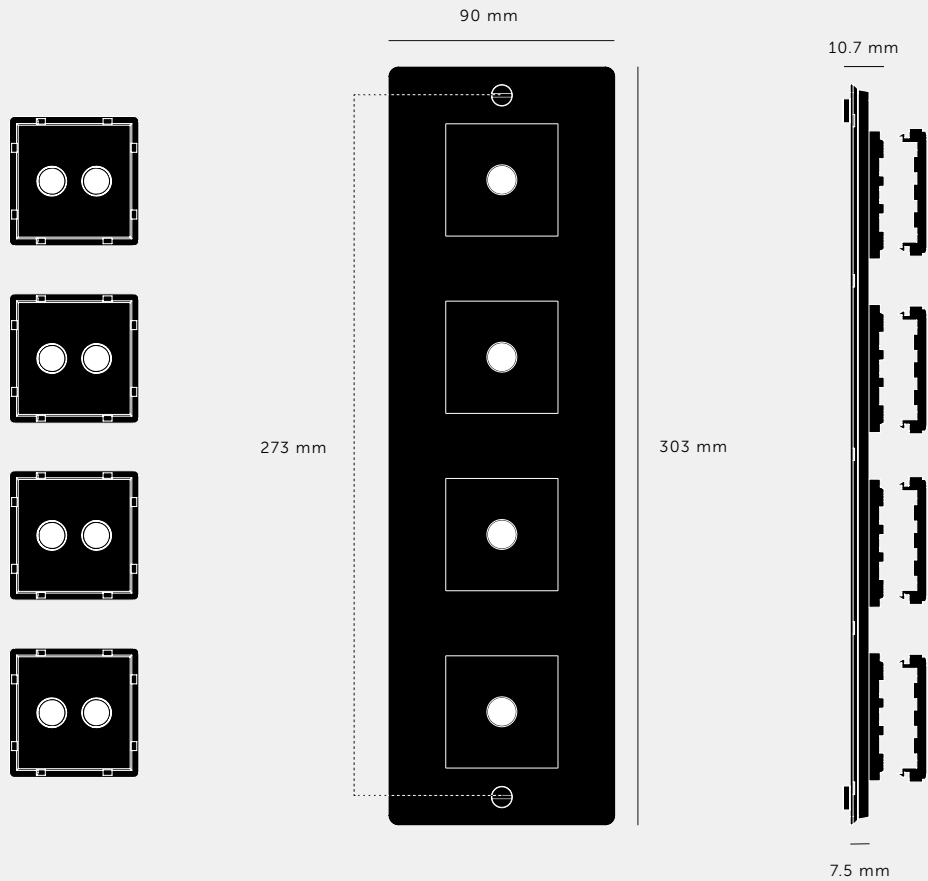
---

[ type. **4G WALL PLATE.** ]

---

[ info. **MEASUREMENTS.** ]

---



---

[ info. **SPECIFICATIONS.** ]

---

Each plate opening fits up to:-  
2 switches / 1 dimmer / 1 power / 1 module insert.

\*For white products, Socket & module inserts are finished in white. For all other finishes (steel, brass, smoked bronze, black), inserts are finished in black except for Swiss, Danish and Italian sockets, which are graphite.

---

[ info. **RECOMMENDED.** ]

---






Each plate opening fits up to:-  
2 switches / 1 dimmer / 1 power / 1 module insert.

4G back box - depth depending on module insert.

---

[ info. **FINISH & SKU NUMBERS.** ]

---

[ finish. ]	[ sku. ]
 White	CPL-142400
 Steel	CPL-072403
 Brass	CPL-052402
 Smoked Bronze	CPL-092404
 Black	CPL-022401

---

[ info. **CARE INSTRUCTIONS.** ]

---

Wipe with lint free cloth with no loose hairs, avoid using any chemicals. Please note that finishes may age naturally with time and regular use.

---

[ please. **NOTE.** ]

---

DISCLAIMER: Always consult a trade professional when installing this wall plate. Buster + Punch is not responsible for the usage or feasibility of installation requirements. This product is not suitable for lint free or wet environments.

# BUSTER+PUNCH

LONDON

[ product. ]

## WALL PLATES / NO INFILL

[ detail. **COIN SCREW.** ]

[ range. **ELECTRICITY.** ]

[ born. **LONDON.** ]

EU Plates are made in a variety of finishes with our signature solid metal coin screws. EU plates can be combined with module inserts to suit all your electrical, data, sound & AV needs. Module inserts can be purchased separately.



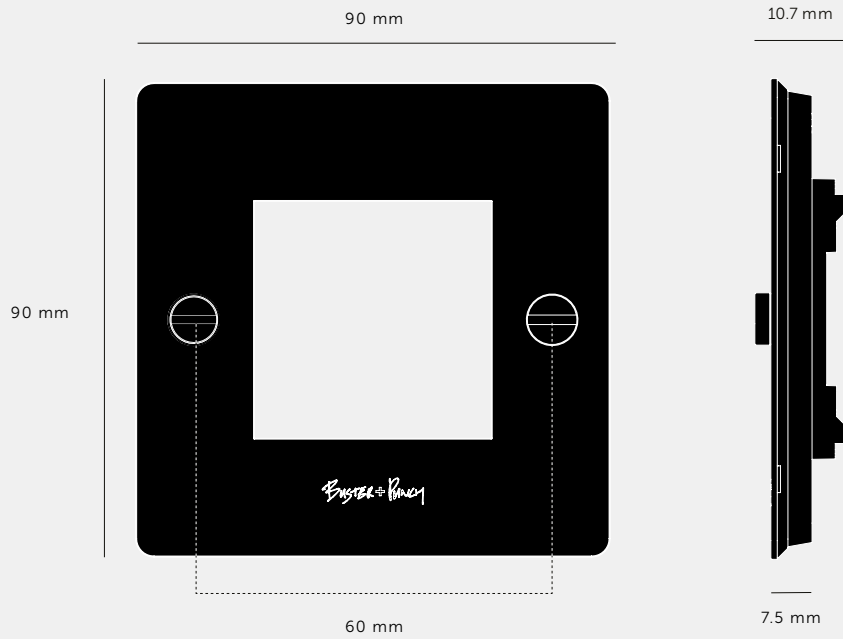
---

[ type. **1G WALL PLATE / NO INFILL.** ]

---

[ info. **MEASUREMENTS.** ]

---



---

[ info. **SPECIFICATIONS.** ]

---

Each plate fits 1 power / 1 module insert.

\*For white products, Socket & module inserts are finished in white. For all other finishes (steel, brass, smoked bronze, black), inserts are finished in black except for Swiss, Danish and Italian sockets, which are graphite.

---

[ info. **RECOMMENDED.** ]

---

1G back box - depth depending on module insert.

---

[ info. **FINISH & SKU NUMBERS.** ]

---

[ finish. ]	[ sku. ]
● White	CPL-142009
● Steel	CPL-072012
● Brass	CPL-052011
● Smoked Bronze	CPL-092013
● Black	CPL-022010

---

[ info. **CARE INSTRUCTIONS.** ]

---

Wipe with lint free cloth with no loose hairs, avoid using any chemicals. Please note that finishes may age naturally with time and regular use.

---

[ please. **NOTE.** ]

---

DISCLAIMER: Always consult a trade professional when installing this wall plate. Buster + Punch is not responsible for the usage or feasibility of installation requirements. This product is not suitable for lint free or wet environments.



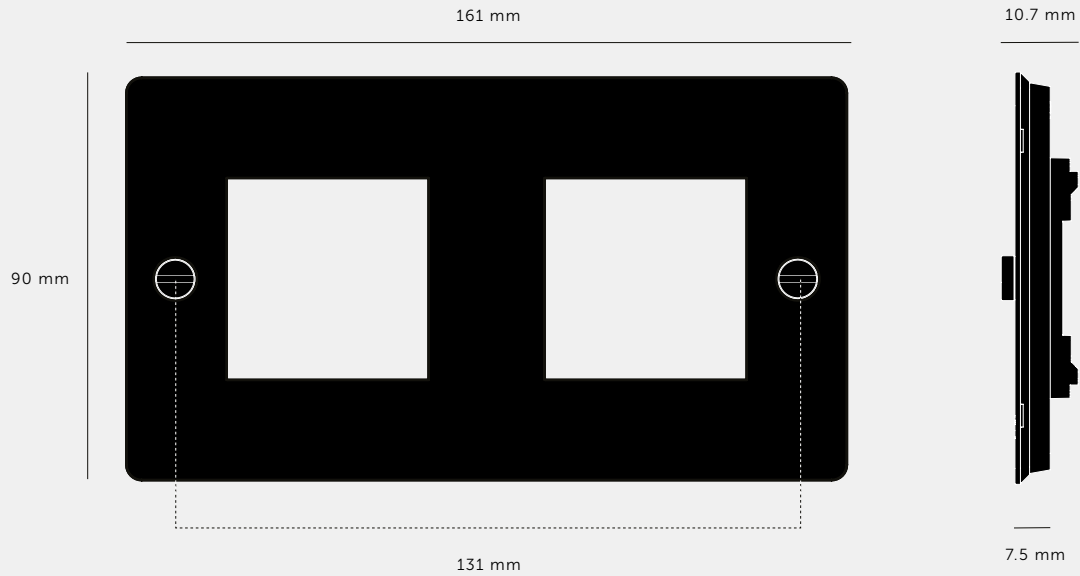
---

[ type. **2G WALL PLATE / NO INFILL.** ]

---

[ info. **MEASUREMENTS.** ]

---



---

[ info. **SPECIFICATIONS.** ]

---

Each plate fits 1 power / 1 module insert.

\*For white products, Socket & module inserts are finished in white. For all other finishes (steel, brass, smoked bronze, black), inserts are finished in black except for Swiss, Danish and Italian sockets, which are graphite.

---

[ info. **RECOMMENDED.** ]

---






Recommended back box:

2G back box - depth depending on module insert.

---

[ info. **FINISH & SKU NUMBERS.** ]

---

[ finish. ]	[ sku. ]
 White	CPL-142014
 Steel	CPL-072017
 Brass	CPL-052016
 Smoked Bronze	CPL-092018
 Black	CPL-022015

---

[ info. **CARE INSTRUCTIONS.** ]

---

Wipe with lint free cloth with no loose hairs, avoid using any chemicals. Please note that finishes may age naturally with time and regular use.

---

[ please. **NOTE.** ]

---

DISCLAIMER: Always consult a trade professional when installing this wall plate. Buster + Punch is not responsible for the usage or feasibility of installation requirements. This product is not suitable for lint free or wet environments.

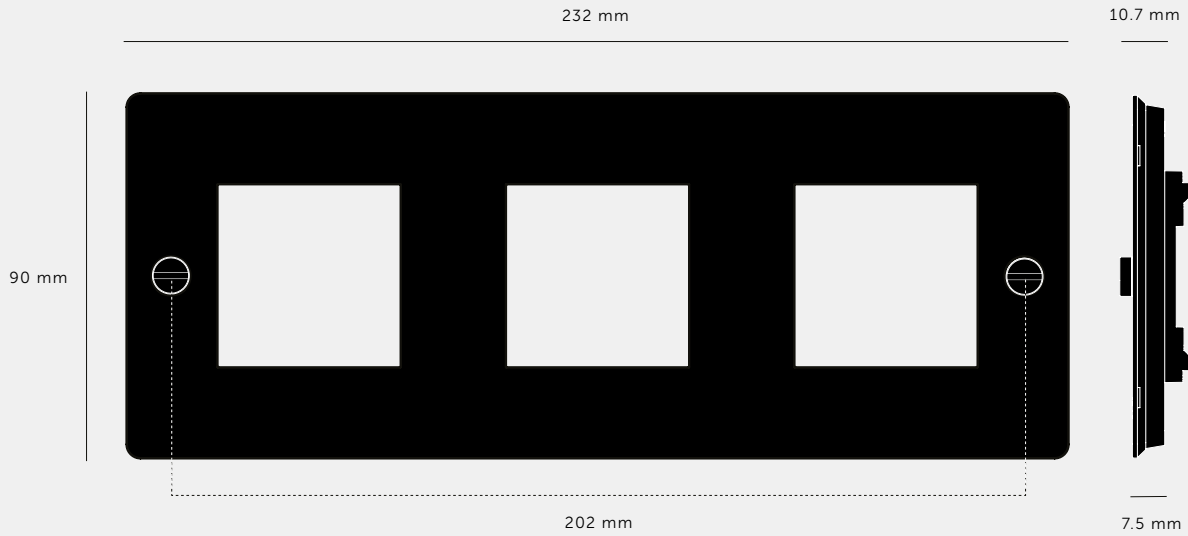
---

[ type. **3G WALL PLATE / NO INFILL.** ]

---

[ info. **MEASUREMENTS.** ]

---



---

[ info. **SPECIFICATIONS.** ]

---

Each plate fits 1 power / 1 module insert.

\*For white products, Socket & module inserts are finished in white. For all other finishes (steel, brass, smoked bronze, black), inserts are finished in black except for Swiss, Danish and Italian sockets, which are graphite.

---

[ info. **SPECIFICATIONS.** ]






---

3G back box - depth depending on module insert.

---

[ info. **FINISH & SKU NUMBERS.** ]

---

[ finish. ]	[ sku. ]
 White	CPL-142019
 Steel	CPL-072022
 Brass	CPL-052021
 Smoked Bronze	CPL-092023
 Black	CPL-022020

---

[ info. **CARE INSTRUCTIONS.** ]

---

Wipe with lint free cloth with no loose hairs, avoid using any chemicals. Please note that finishes may age naturally with time and regular use.

---

[ please. **NOTE.** ]

---

DISCLAIMER: Always consult a trade professional when installing this wall plate. Buster + Punch is not responsible for the usage or feasibility of installation requirements. This product is not suitable for lint free or wet environments.

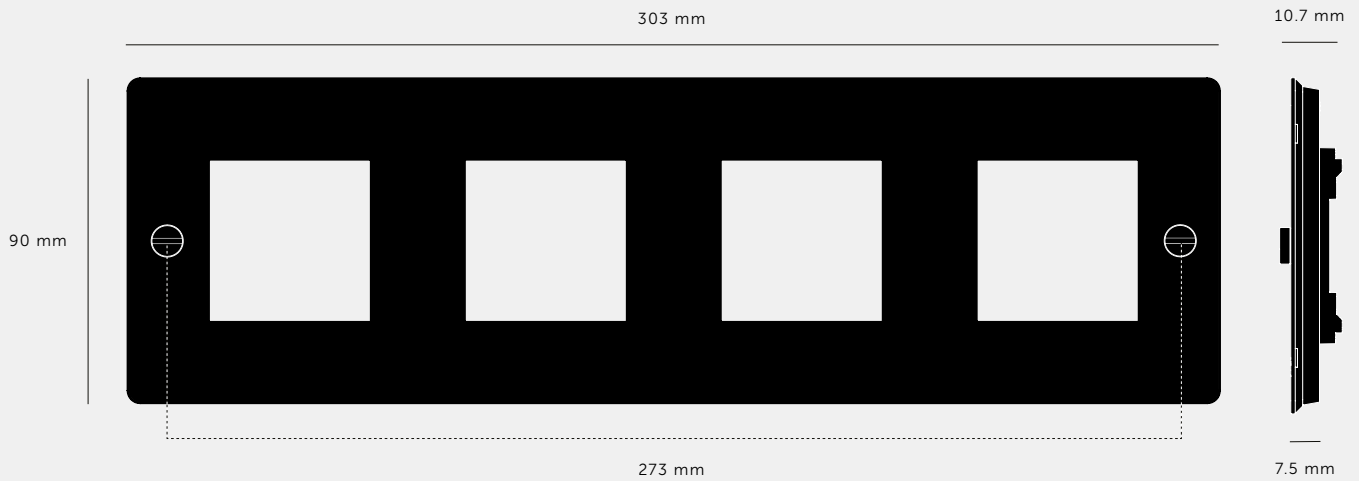
---

[ type. **4G WALL PLATE / NO INFILL.** ]

---

[ info. **MEASUREMENTS.** ]

---



---

[ info. **SPECIFICATIONS.** ]

---

Each plate fits 1 power / 1 module insert.

\*For white products, Socket & module inserts are finished in white. For all other finishes (steel, brass, smoked bronze, black), inserts are finished in black except for Swiss, Danish and Italian sockets, which are graphite.

---

[ info. **SPECIFICATIONS.** ]






---

4G back box - depth depending on module insert.

---

[ info. **FINISH & SKU NUMBERS.** ]

---

[ finish. ]	[ sku. ]
 White	CPL-142024
 Steel	CPL-072027
 Brass	CPL-052026
 Smoked Bronze	CPL-092028
 Black	CPL-022025

---

[ info. **CARE INSTRUCTIONS.** ]

---

Wipe with lint free cloth with no loose hairs, avoid using any chemicals. Please note that finishes may age naturally with time and regular use.

---

[ please. **NOTE.** ]

---

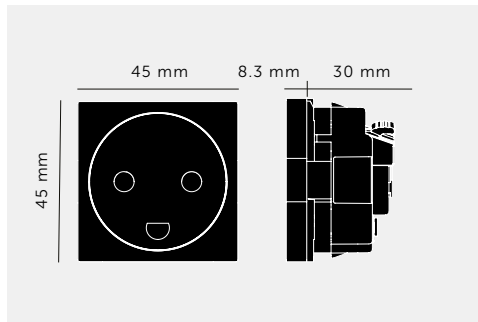
DISCLAIMER: Always consult a trade professional when installing this wall plate. Buster + Punch is not responsible for the usage or feasibility of installation requirements. This product is not suitable for lint free or wet environments.

CATEGORY	QUESTION	ANSWER
<b>GENERAL</b>	Can I combine different modules on the same plate?	Our plates are designed to accommodate a combination of modules, from 1G - 4G. Please refer to our website for purchasing options or contact one of our sales representatives for more information.
<b>EU MODULES</b>	What modules do you stock?	<p><b>We stock the following modules:</b></p> <p>CTM-142035 Toggle Switch / 2 way            CTM-142036 Retractive Toggle Switch / 2 way            CDM-012406 Dimmer Module / 120W LED / 2 way            CDM-012405 Dimmer Module / 100W LED / 2 way            CTM-142037 Intermediate Toggle Switch / 3 way            CDM-142038 Dimmer Module / 250W LED / Retractive Multi Location            CDM-142040 Intermediate Dummy Dimmer / 3 way            CDM-142039 Dummy Dimmer Module / 2 way / Push On Off            CDM-142040 Dummy Dimmer Module / Intermediate / 3 way / Push On Off            CDM-023405 Dummy Dimmer Module / retractive / Push On Off            CDM-142041 1-10V Dimmer            CSM-142029 Danish Socket Type K / White            CSM-022032 Danish Socket Type K / Graphite Black            CSM-142030 Swiss Socket Type J / White            CSM-022033 Swiss Socket Type J / Graphite Black            CSM-142031 Italian Multi Socket Type F + L / White            CSM-022034 Italian Multi Socket Type F + L / Graphite Black            CSM-141904 Schuko Socket Type F / White            CSM-021896 Schuko Socket Type F / Black            CSM-141905 France Belgium Socket / White            CSM-021897 France Belgium Socket Type C + E / Black            CXM-141906 USB A+ USB C Quick Charge / White            CXM-021898 USB A+ USB C Quick Charge / Black            CXM-141907 HDMI / White            CXM-021899 HDMI / Black            CXM-141908 Telephone Cat 3 / White            CXM-021900 Telephone Cat 3 / Black            CXM-141909 RJ45 / White            CXM-021901 RJ45 / Black            CXM-141910 TV / White            CXM-021902 TV / Black            CXM-141911 Blank / White            CXM-021903 Blank / Black            CXM-023406 Dimmer Compensator Module</p>
<b>MODULES</b>	If I can't find the module insert I want in your range what can I do?	Although we have tried to develop a widely compatible plate system, we cannot guarantee compatibility with other 45mm modules on the open market. Please discuss with a sales rep for special requirements
<b>INSTALL</b>	Will the plates work with my existing wall box?	Please reference the key dimensions of the module and mounting holes when checking compatibility. We always recommend flush mounted wall boxes, which are widely available from major retailers



[ type. **SOCKET MODULES.** ]

[ info. **SPEC SHEET.** ]



[ Finish. ]

[ SKU. ]

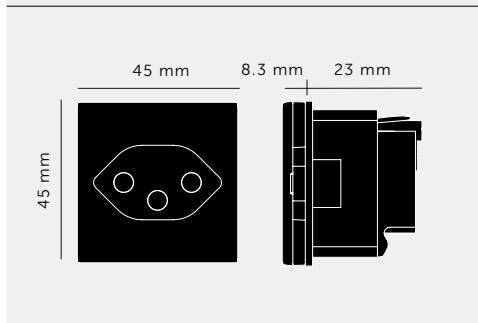
[ info. **SPECIFICATION.** ]

- White
- Graphite

CPL-142024  
CSM-022032

**DANISH SOCKET MODULE / TYPE K / 45MM**

Outlet: 250VAC / 50Hz / 16A  
Certification: DS 60884-2-D1:2017



[ Finish. ]

[ SKU. ]

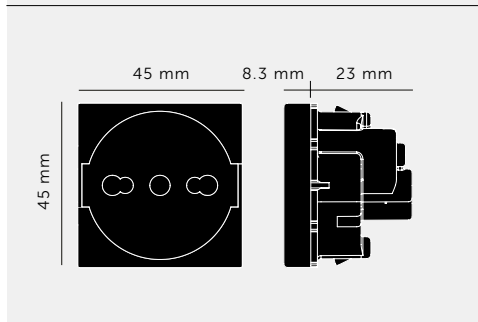
[ info. **SPECIFICATION.** ]

- White
- Graphite

CSM-142030  
CSM-022033

**SWISS SOCKET MODULE / TYPE 3 / 45MM**

Outlet: 250VAC / 50Hz / 16A  
Certified for use in Europe and Switzerland : CE



[ Finish. ]

[ SKU. ]

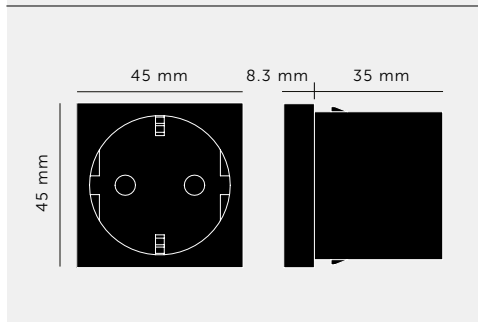
[ info. **SPECIFICATION.** ]

- White
- Graphite

CSM-142031  
CSM-022034

**ITALIAN MULTI SOCKET MODULE / TYPE F + L**

Outlet: 250VAC / 50Hz / 16A  
Certified for use in Europe : CE



[ Finish. ]

[ SKU. ]

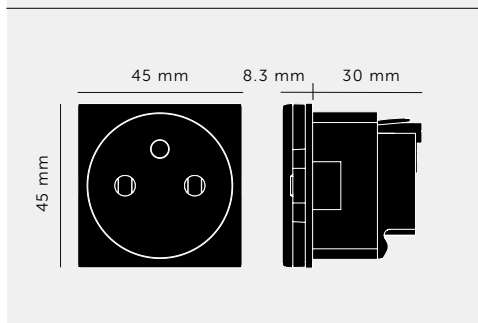
[ info. **SPECIFICATION.** ]

- White
- Black

CSM-141904  
CSM-021896

**SCHUKO SOCKET MODULE / TYPE F / 45MM**

Outlet: 250VAC / 50Hz / 16A  
Certified for use in: UK, Europe Russia: CE / EAC



[ Finish. ]

[ SKU. ]

[ info. **SPECIFICATION.** ]

- White
- Black

CSM-141905  
CSM-021897

**FRENCH BELGIAN SOCKET MODULE / TYPE F / 45MM**

Outlet: 250VAC / 50Hz / 16A  
Certified for use in: UK, Europe Russia: CE / EAC

[ info. **CARE INSTRUCTIONS.** ]

Wipe with lint free cloth with no loose hairs, avoid using any chemicals. All finishes are prone to ageing. Please note that finishes may age naturally with time and regular use.

[ please. **NOTE.** ]

DISCLAIMER: Always consult a trade professional when installing these modules. Buster + Punch is not responsible for the usage or feasibility of installation requirements. This product is not suitable for lint free or wet environments.

[ type. **MODULES.** ]

[ info. **SPEC SHEET.** ]



[ Finish. ]	[ SKU. ]	[ info. <b>SPECIFICATION.</b> ]
● White	CXM-141907	<b>HDMI MODULE</b>
● Black	CXM-021899	45mm HDMI module

[ Finish. ]	[ SKU. ]	[ info. <b>SPECIFICATION.</b> ]
● White	CXM-141909	<b>LAN MODULE / RJ45 / CAT6</b>
● Black	CXM-021901	Single RJ45 port for Cat 6 systems, standard IDC terminals, colour coded for 568B.

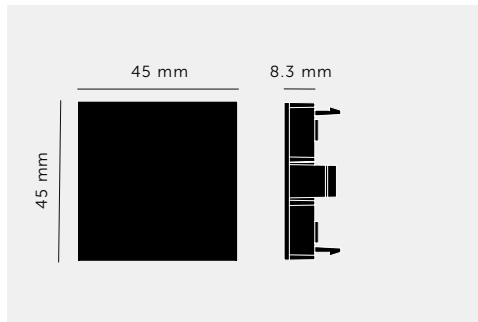
[ Finish. ]	[ SKU. ]	[ info. <b>SPECIFICATION.</b> ]
● White	CXM-141908	<b>TELEPHONE MODULE / RJ11 / CAT 3</b>
● Black	CXM-021900	Single RJ11 port for CAT 3 systems

[ please. **NOTE.** ]

DISCLAIMER: Always consult a trade professional when installing these modules. Buster + Punch is not responsible for the usage or feasibility of installation requirements. This product is not suitable for lint free or wet environments.

[ type. **MODULES.** ]

[ info. **SPEC SHEET.** ]



[ Finish. ]

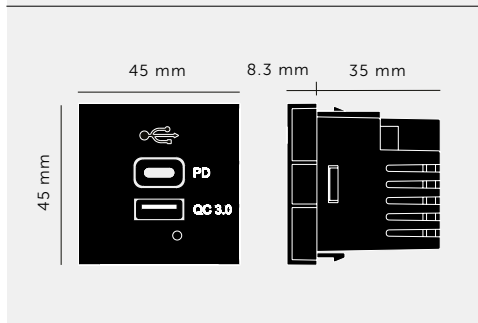
[ SKU. ]

[ info. **SPECIFICATION.** ]

- White
- Black

CXM-141911  
CXM-021903

**BLANK MODULE**  
45mm blank module



[ Finish. ]

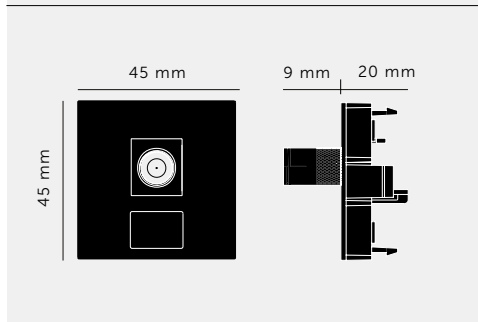
[ SKU. ]

[ info. **SPECIFICATION.** ]

- White
- Black

CXM-141906  
CXM-021898

**USB MODULE / A + C QUICK CHARGE**  
USB Charger Type A + Type C: 5V 1.5A Each  
Input: 100-250VAC 50/60Hz 0.5A  
Output: 5VDC 3A, 9VDC 3A, 12VDC 2.5A, 15VDC 2A, 20VDC 1.5A  
Total output power: 30W Max  
No-load power consumption: 0.1W Max  
Operating Temp & humidity: -10~+40 C 20%~90%RH  
Certified for use in UK, Europe and Russia :  
UKCA / CE / EAC



[ Finish. ]

[ SKU. ]

[ info. **SPECIFICATION.** ]

- White
- Black

CXM-141910  
CXM-021902

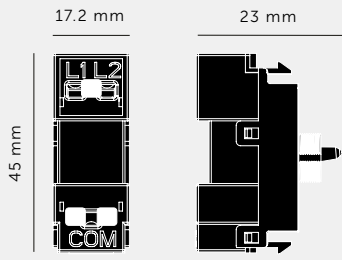
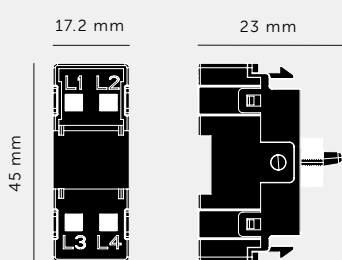
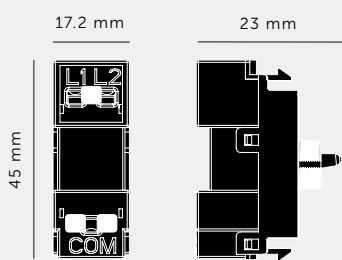
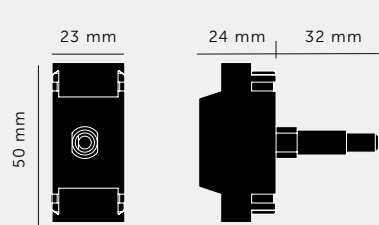
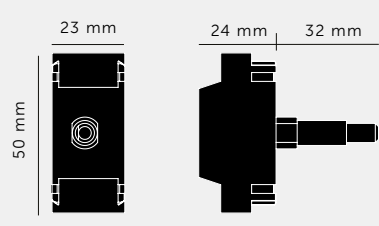
**TV MODULE / SAT / CABLE**  
TV/SAT - Female Type F Connector  
Compatible with all Coaxial signal systems.

[ please. **NOTE.** ]

DISCLAIMER: Always consult a trade professional when installing these modules. Buster + Punch is not responsible for the usage or feasibility of installation requirements. This product is not suitable for lint free or wet environments.

[ type. **SWITCH MODULES.** ]

[ info. **SPEC SHEET.** ]

	<table border="1"><thead><tr><th>[ Finish. ]</th><th>[ SKU. ]</th><th>[ info. <b>SPECIFICATION.</b> ]</th></tr></thead><tbody><tr><td>● Black</td><td>CTM-142035</td><td><b>TOGGLE SWITCH / 2 WAY</b> On / Off Toggle Switch 2 Way switching (can be used to control from multiple locations) 250 VAC / 10 AX Certified for use in UK, Europe and Russia : UKCA / CE / EAC *Not compatible with retractive switching</td></tr></tbody></table>	[ Finish. ]	[ SKU. ]	[ info. <b>SPECIFICATION.</b> ]	● Black	CTM-142035	<b>TOGGLE SWITCH / 2 WAY</b> On / Off Toggle Switch 2 Way switching (can be used to control from multiple locations) 250 VAC / 10 AX Certified for use in UK, Europe and Russia : UKCA / CE / EAC *Not compatible with retractive switching
[ Finish. ]	[ SKU. ]	[ info. <b>SPECIFICATION.</b> ]					
● Black	CTM-142035	<b>TOGGLE SWITCH / 2 WAY</b> On / Off Toggle Switch 2 Way switching (can be used to control from multiple locations) 250 VAC / 10 AX Certified for use in UK, Europe and Russia : UKCA / CE / EAC *Not compatible with retractive switching					
	<table border="1"><thead><tr><th>[ Finish. ]</th><th>[ SKU. ]</th><th>[ info. <b>SPECIFICATION.</b> ]</th></tr></thead><tbody><tr><td>● Black</td><td>CTM-142037</td><td><b>TOGGLE SWITCH / INTERMEDIATE / 3 WAY</b> On / Off Toggle Switch 3 Way switching 250 VAC / 10 AX Certified for use in UK, Europe and Russia : UKCA / CE / EAC *Not compatible with retractive switching</td></tr></tbody></table>	[ Finish. ]	[ SKU. ]	[ info. <b>SPECIFICATION.</b> ]	● Black	CTM-142037	<b>TOGGLE SWITCH / INTERMEDIATE / 3 WAY</b> On / Off Toggle Switch 3 Way switching 250 VAC / 10 AX Certified for use in UK, Europe and Russia : UKCA / CE / EAC *Not compatible with retractive switching
[ Finish. ]	[ SKU. ]	[ info. <b>SPECIFICATION.</b> ]					
● Black	CTM-142037	<b>TOGGLE SWITCH / INTERMEDIATE / 3 WAY</b> On / Off Toggle Switch 3 Way switching 250 VAC / 10 AX Certified for use in UK, Europe and Russia : UKCA / CE / EAC *Not compatible with retractive switching					
	<table border="1"><thead><tr><th>[ Finish. ]</th><th>[ SKU. ]</th><th>[ info. <b>SPECIFICATION.</b> ]</th></tr></thead><tbody><tr><td>● Black</td><td>CTM-142036</td><td><b>TOGGLE SWITCH / RETRACTIVE / SINGLE THROW</b> Single Throw Sprung Return On / Off Toggle Switch 250 VAC / 10 A Certified for use in UK, Europe and Russia : UKCA / CE / EAC *Not compatible with regular 2-3 way switching *Compatible with Retractive Multi-Location Dimmer and Smart Modules with retractive switch inputs.</td></tr></tbody></table>	[ Finish. ]	[ SKU. ]	[ info. <b>SPECIFICATION.</b> ]	● Black	CTM-142036	<b>TOGGLE SWITCH / RETRACTIVE / SINGLE THROW</b> Single Throw Sprung Return On / Off Toggle Switch 250 VAC / 10 A Certified for use in UK, Europe and Russia : UKCA / CE / EAC *Not compatible with regular 2-3 way switching *Compatible with Retractive Multi-Location Dimmer and Smart Modules with retractive switch inputs.
[ Finish. ]	[ SKU. ]	[ info. <b>SPECIFICATION.</b> ]					
● Black	CTM-142036	<b>TOGGLE SWITCH / RETRACTIVE / SINGLE THROW</b> Single Throw Sprung Return On / Off Toggle Switch 250 VAC / 10 A Certified for use in UK, Europe and Russia : UKCA / CE / EAC *Not compatible with regular 2-3 way switching *Compatible with Retractive Multi-Location Dimmer and Smart Modules with retractive switch inputs.					
	<table border="1"><thead><tr><th>[ Finish. ]</th><th>[ SKU. ]</th><th>[ info. <b>SPECIFICATION.</b> ]</th></tr></thead><tbody><tr><td>● Black</td><td>CDM-142039</td><td><b>DUMMY DIMMER MODULE / 2 WAY / PUSH ON-OFF</b> Push-On/Off, 2 Way switch in the form of a dimmer module for consistent styling 250VAC 50Hz 6A Certified for use in UK, Europe and Russia : UKCA / CE / EAC *Not compatible with retractive switching</td></tr></tbody></table>	[ Finish. ]	[ SKU. ]	[ info. <b>SPECIFICATION.</b> ]	● Black	CDM-142039	<b>DUMMY DIMMER MODULE / 2 WAY / PUSH ON-OFF</b> Push-On/Off, 2 Way switch in the form of a dimmer module for consistent styling 250VAC 50Hz 6A Certified for use in UK, Europe and Russia : UKCA / CE / EAC *Not compatible with retractive switching
[ Finish. ]	[ SKU. ]	[ info. <b>SPECIFICATION.</b> ]					
● Black	CDM-142039	<b>DUMMY DIMMER MODULE / 2 WAY / PUSH ON-OFF</b> Push-On/Off, 2 Way switch in the form of a dimmer module for consistent styling 250VAC 50Hz 6A Certified for use in UK, Europe and Russia : UKCA / CE / EAC *Not compatible with retractive switching					
	<table border="1"><thead><tr><th>[ Finish. ]</th><th>[ SKU. ]</th><th>[ info. <b>SPECIFICATION.</b> ]</th></tr></thead><tbody><tr><td>● Black</td><td>CDM-142040</td><td><b>DUMMY DIMMER MODULE / INTERMEDIATE / 3 WAY / PUSH ON-OFF</b> Push-On/Off, 3 Way Intermediate switch in the form of a dimmer module for consistent styling 250VAC 50Hz 6A Certified for use in UK, Europe and Russia : UKCA / CE / EAC *Not compatible with retractive switching</td></tr></tbody></table>	[ Finish. ]	[ SKU. ]	[ info. <b>SPECIFICATION.</b> ]	● Black	CDM-142040	<b>DUMMY DIMMER MODULE / INTERMEDIATE / 3 WAY / PUSH ON-OFF</b> Push-On/Off, 3 Way Intermediate switch in the form of a dimmer module for consistent styling 250VAC 50Hz 6A Certified for use in UK, Europe and Russia : UKCA / CE / EAC *Not compatible with retractive switching
[ Finish. ]	[ SKU. ]	[ info. <b>SPECIFICATION.</b> ]					
● Black	CDM-142040	<b>DUMMY DIMMER MODULE / INTERMEDIATE / 3 WAY / PUSH ON-OFF</b> Push-On/Off, 3 Way Intermediate switch in the form of a dimmer module for consistent styling 250VAC 50Hz 6A Certified for use in UK, Europe and Russia : UKCA / CE / EAC *Not compatible with retractive switching					

[ please. **NOTE.** ]

DISCLAIMER: Always consult a trade professional when installing these modules. Buster + Punch is not responsible for the usage or feasibility of installation requirements. This product is not suitable for lint free or wet environments.



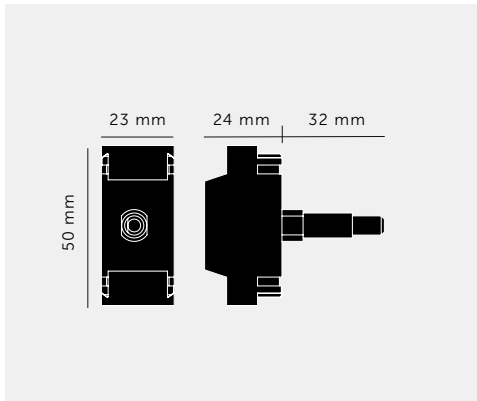
---

[ type. **SWITCH MODULES.** ]

---

[ info. **SPEC SHEET.** ]

---



---

[ Finish. ]

[ SKU. ]

[ info. **SPECIFICATION.** ]

---

● Black

CDM-023405

**DUMMY DIMMER MODULE / RETRACTIVE / PUSH ON-OFF**

Push On/ Off retractive switch in the form of a dimmer module for consistent styling.  
Compatible with Retractive Multi-Location Dimmer and Smart Modules with retractive switch inputs.  
250VAC 50Hz  
Max Load 300W  
Certified for use in UK, Europe: CE  
\*Not compatible with regular 2-3 Way Switching

---

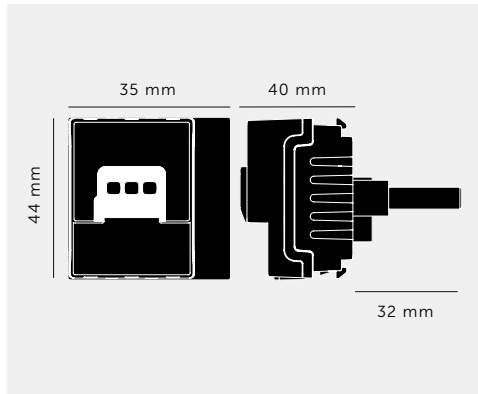
[ please. **NOTE.** ]

---

DISCLAIMER: Always consult a trade professional when installing these modules.  
Buster + Punch is not responsible for the usage or feasibility of installation requirements. This module is suitable for dry locations only.

[ type. **DIMMER MODULES.** ]

[ info. **SPEC SHEET.** ]



[ Finish. ]

[ SKU. ]

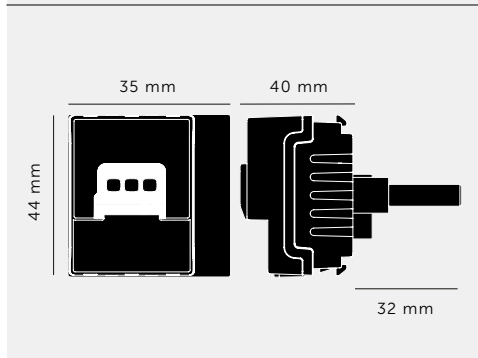
[ info. **SPECIFICATION.** ]

● Black

CDM-142038

**DIMMER MODULE / 250W LED / RETRACTIVE / MULTI-LOCATION**

Push ON/OFF rotary dimmer with multi location dimming via retractive switches.  
Input: 240VAC ~ 50Hz  
Dimming Type:  
Auto Detect Trailing / Leading Edge dimming  
10-350W: When used with incandescent lamps  
3-250W: When used with dimmable LED lamps.  
Operating Temperature: 0-55 C Humidity: 10-90% R.H .  
Certified for use in UK, Europe and Russia:  
UKCA / CE / EAC  
\*Not compatible with regular 2-3 way switching



[ Finish. ]

[ SKU. ]

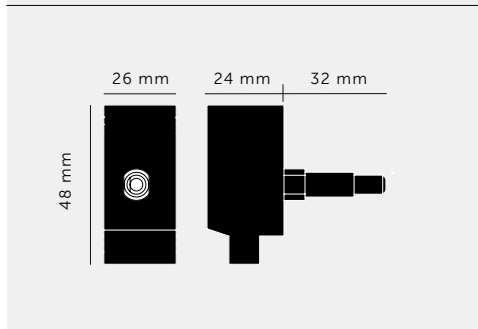
[ info. **SPECIFICATION.** ]

● Black

CDM-012405

**DIMMER MODULE / 100W LED / 2 WAY**

Push ON/OFF rotary dimmer with 1-2 way switching  
Input: 240VAC ~ 50Hz  
Compatible with regular 2-3 Way switches  
Dimming Type: Trailing Edge dimming only  
10-250W: When used with incandescent lamps  
2-100W: When used with dimmable LED lamps.  
Operating Temperature: 0-55 C Humidity: 10-90% R.H.  
Certified for use in UK, Europe and Russia:  
UKCA / CE / EAC  
\*Not compatible with retractive switching.



[ Finish. ]

[ SKU. ]

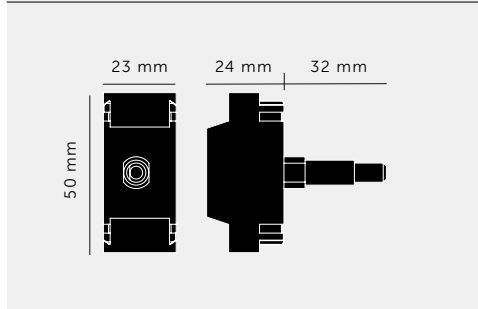
[ info. **SPECIFICATION.** ]

● Black

CDM-012406

**DIMMER MODULE / 120W LED / 2 WAY**

Push On/Off rotary dimmer with 1-2 way switching  
Compatible with regular 2-3 Way switches  
Preset to Trailing edge dimming  
Programmable to Leading / Trailing edge modes  
LED 120W Max.Up to :  
10 Bulbs/HAL 150W Max./GLS 200W Max.  
250VAC / 50Hz  
Certified for use in UK, Europe and Russia: CE / EAC  
\*Not compatible with retractive switching



[ Finish. ]

[ SKU. ]

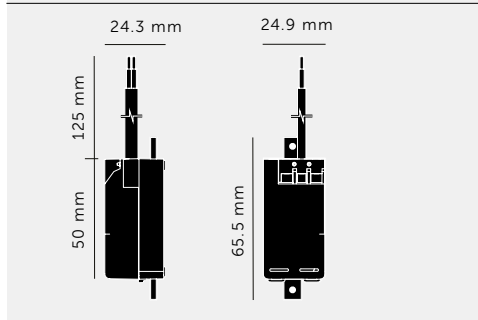
[ info. **SPECIFICATION.** ]

● Black

CDM-142041

**DIMMER MODULE / 1-10V / 2 WAY**

Push On/Off rotary dimmer with 1-2 way switching  
0 - 10V or 1- 10V control signal.  
Compatible with regular 2-3 Way switches  
For one or multiple high frequency dimmable ballasts up to 20mA.  
Rated at 250VAC 6A Max.  
Certified for use in UK, Europe and Russia: CE / EAC  
\*Not compatible with retractive switching



[ Finish. ]

[ SKU. ]

[ info. **SPECIFICATION.** ]

● Black

CXM-023406

**DIMMER MODULE / COMPENSATOR**

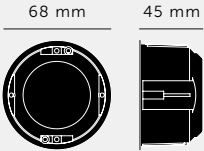
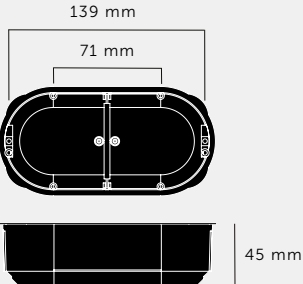
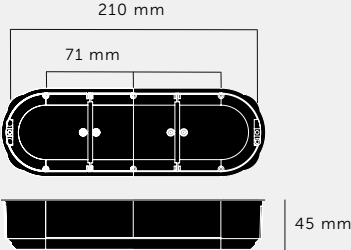
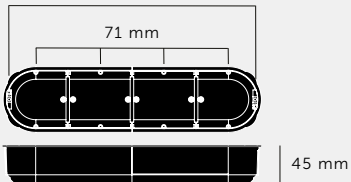
LEDFix Load regulator module can be retrofitted into a dimming circuit to improve the stability (flickering) of LED lamps.  
It can also improve the lowest dim settings.  
Certified for use in UK, Europe: CE  
\* Compatible with Trailing Edge Dimmers Only

[ please. **NOTE.** ]

DISCLAIMER: Always consult a trade professional when installing these modules. Buster + Punch is not responsible for the usage or feasibility of installation requirements. This product is not suitable for lint free or wet environments.

[ type. **BACK BOXES.** ]

[ info. **SPEC SHEET.** ]

	[ size. ]	[ SKU. ]	[ info. <b>SPECIFICATION.</b> ]
	1G	CBB-012652	Junction box for cavity walls. Style: EU Plastic Back Box Hole saw diameter 68mm Mounting screws: W16, W25, W42 Operating Temperature: 60°C Fire protection class V0 Blue thermoplastic material PA6 Conforms to relevant CE standards
	2G	CBB-012653	Junction box for cavity walls. Style: EU Plastic Back Box Hole saw diameter 68mm Mounting screws: W16, W25, W42 Operating Temperature: 60°C Fire protection class V0 Blue thermoplastic material PA6 Conforms to relevant CE standards
	3G	CBB-012654	Junction box for cavity walls. Style: EU Plastic Back Box Hole saw diameter 68mm Mounting screws: W16, W25, W42 Operating Temperature: 60°C Fire protection class V0 Blue thermoplastic material PA6 Conforms to relevant CE standards
	4G	CBB-012655	Junction box for cavity walls. Style: EU Plastic Back Box Hole saw diameter 68mm Mounting screws: W16, W25, W42 Operating Temperature: 60°C Fire protection class V0 Blue thermoplastic material PA6 Conforms to relevant CE standards

[ please. **NOTE.** ]

DISCLAIMER: Always consult a trade professional when installing these modules. Buster + Punch is not responsible for the usage or feasibility of installation requirements. This product is not suitable for lint free or wet environments.



**BUSTER + PUNCH**

**EU ELECTRICITY**

**SALES ENQUIRIES**

[info@busterandpunch.com](mailto:info@busterandpunch.com)

**FOLLOW US**

twitter: @busterandpunch

instagram: @busterandpunch

facebook: busterandpunch

**HEAD OFFICE / UK**

Sand Martin House  
Britten way  
Peterborough  
PE2 8TY

+44 (0)20 7407 0888

[www.busterandpunch.com](http://www.busterandpunch.com)

**SHOWROOM / UK**

47 Charlotte Road  
London  
EC2A 3QT

+44 (0)20 7407 0888

[london@busterandpunch.com](mailto:london@busterandpunch.com)

**BUSTER + PUNCH / STOCKHOLM**

Artillerigatan 25  
114 45  
Stockholm

+46 (0)85 883 95 50

[stockholm@busterandpunch.com](mailto:stockholm@busterandpunch.com)