

# ILIUM PENDANT

*Foster + Partners*

Ilium consists of a cylindrical body made of transparent ribbed glass and an inner diffuser made of opal polymer for 360° diffuse illumination.



## 77 E27 LED/HALO/FLUO

### LAMPING

Source	E27 halo par20 bulb
Total power	50W
Emission	direct, diffused
Switching	dimnable according to bulb
Tension	230V
IP class	20
Materials	aluminium + glass
Notes	cabl length 3m
Net lamp weight	3,5 kg

### Codes

ILI HHC 51

### Structure/Diffuser

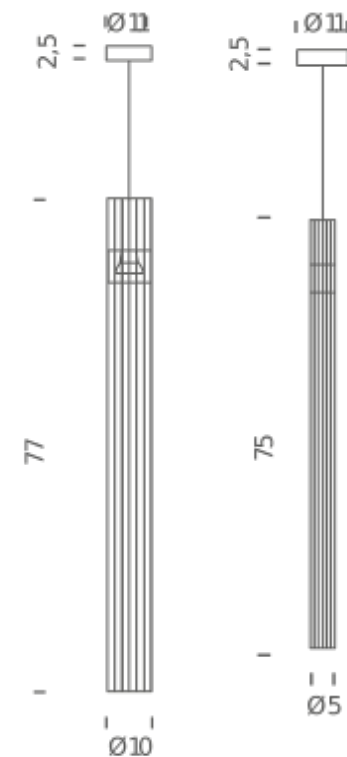
chrome/clear glass

### PACKAGE

Package 01

Dimension: 22x22x98 cm / Gross weight: 4,2 kg

### Certificazioni



## 75 LED

### LAMPING

Source	LED board
Total power	7W
Emission	direct/diffused
Tension	230V
Color temperature	3000K
Luminous flux	345lm
Typ CRI	85
IP class	20
Materials	aluminium + glass
Notes	cabl length 3m
Net lamp weight	3,5 kg

### Codes

ILI LHC 51

### Structure/Diffuser

chrome/clear glass

### PACKAGE

Package 01

Dimension: 22x22x98 cm / Gross weight: 4,2 kg

### Certificazioni

