

G56JOR01 XX Range Inox

Safety shower grb bar with 90° corner, equipped with adjustable hand shower holder

Physical data

Dimensions (mm.) 449x70x1263
 Weight (kg.) 3

Endowments

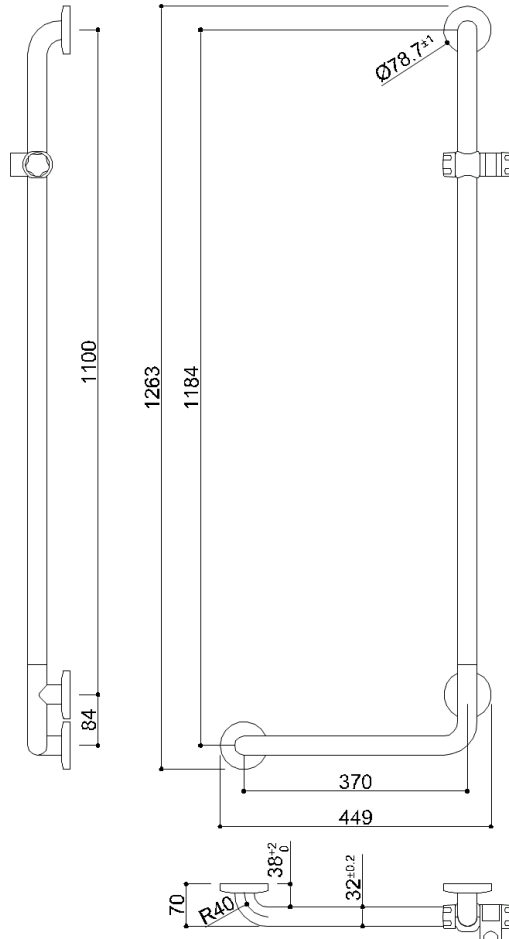
Stainless steel screw and dowels Fischer SX 8 6x70 Inox

Delivery methods

Package LDPE bag in cardboard box

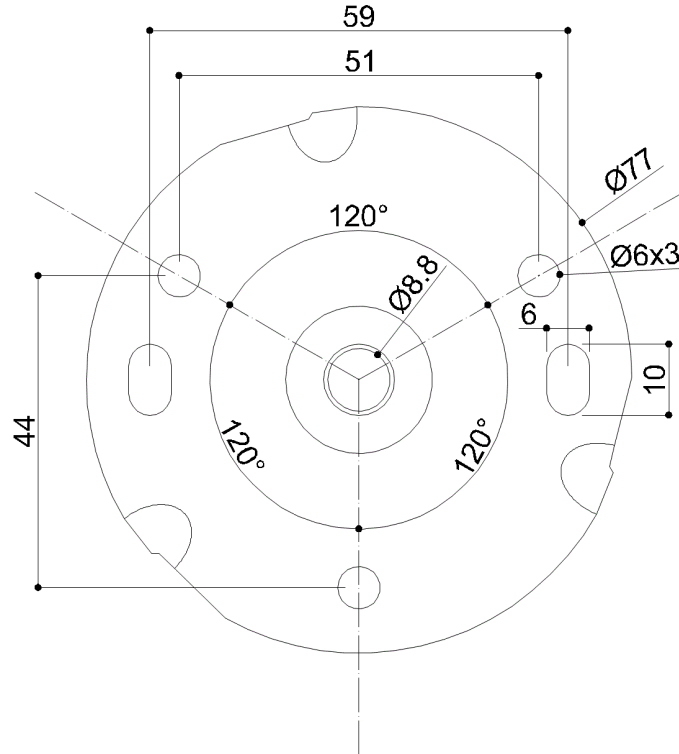
Package dimensions (mm.)

Weight with Packaging (kg.)



G56JOR01XX Range Inox

Y88JKS59



Available colors

DM ■ Black Matte	N1 ■ Satin	N2 ■ Polished
WA ■ White Flax		

Resistance to load

Vertical	150 Kg
----------	--------

Safety tips

Before installing and using the device, read the instructions for use and especially the safety warnings carefully and follow them.
If in doubt, contact the company before using the device.

Information on use

The device is not affected by the room's temperature, though it must NOT be installed in environments subject to temperatures below 4°C or above 40°C . Do not install in saunas.

Warranty

If this product fails due to a defect in material or workmanship during the time of periods listed below for each product, Ponte Giulio will replace or repair it free of charge. .
Warranty 2 YEARS

Materials and finishes

Stainless steel	Satin
-----------------	-------