

G12JDS05XX *Range* HUG

Folding seat in polyurethane with internal structure in stainless steel and fixing flange in aluminium

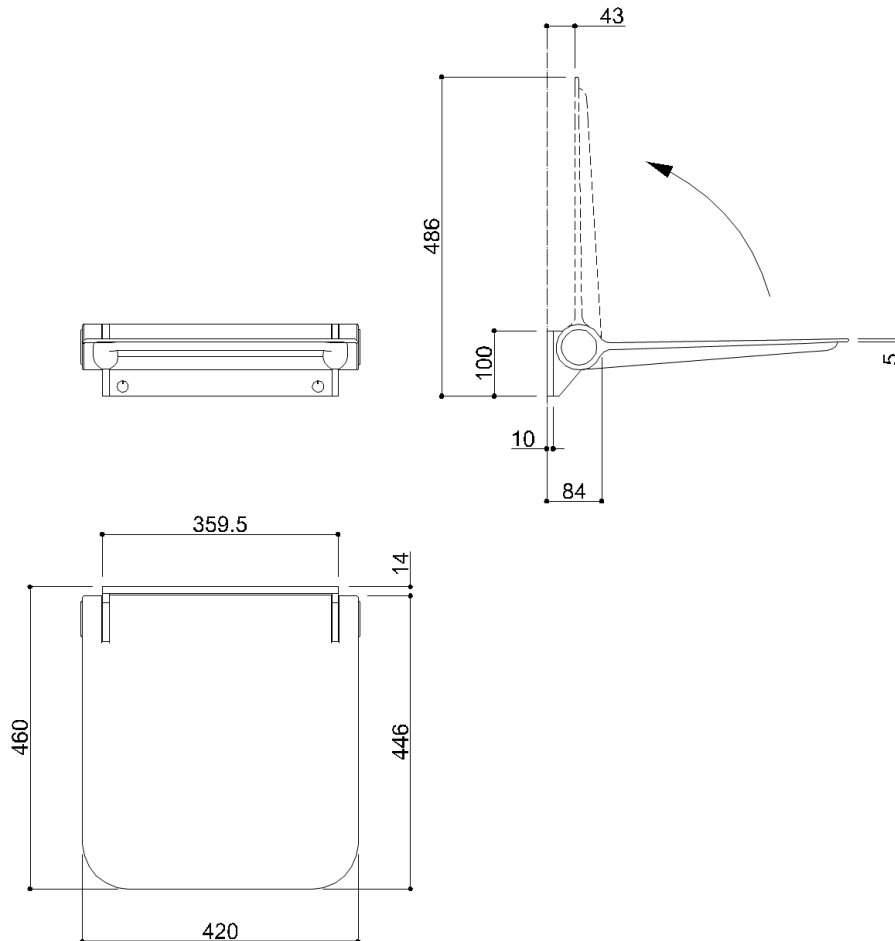
Physical data

Dimensions (mm.)	420x460x100
Weight (kg.)	5,30

Endowments

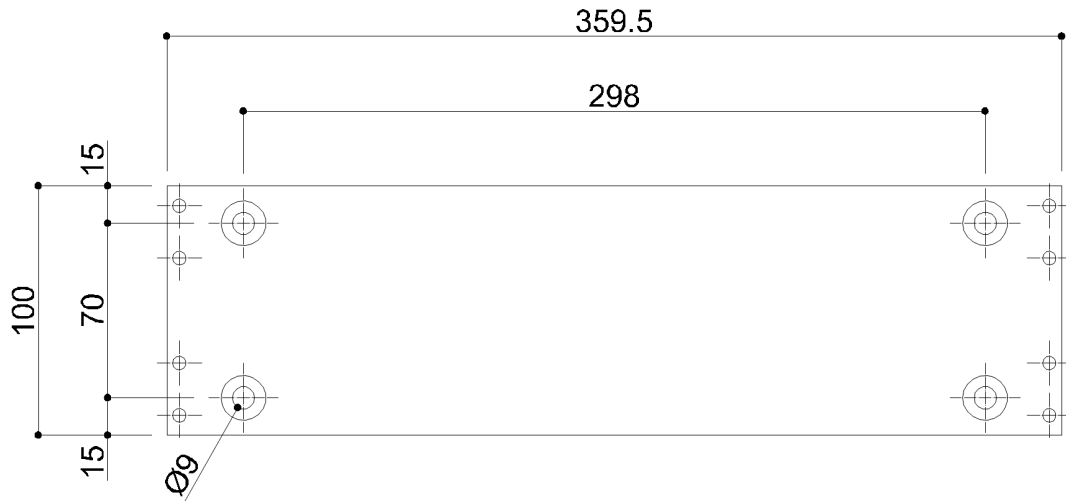
Delivery methods

Package	LDPE bag in cardboard box
Package dimensions (mm.)	440x140x485
Weight with Packaging (kg.)	6,020



G12JDS05XX Range HUG

Y88JKS81



Available colors

Seat

DD ■ Graphite	DM ■ Black Matte	PB ■ Coral
WE ■ Signal White		

Plate

N1 ■ Satin

Materials and finishes

Polyurethane (PU or PUR)	Matt
Stainless steel	Rough
Aluminium	Polished

Resistance to load

Vertical	150 Kg
----------	--------

Safety tips

Before installing and using the device, read the instructions for use and especially the safety warnings carefully and follow them. If in doubt, contact the company before using the device.

Information on use

The device is not affected by the room's temperature, though it must NOT be installed in environments subject to temperatures below 4°C or above 40°C. Do not install in saunas. Not comply with the indicated temperatures may damage the plastic coating of the device.

Warranty

If this product fails due to a defect in material or workmanship during the time of periods listed below for each product, Ponte Giulio will replace or repair it free of charge. .
Warranty 2 YEARS