

# ATELIER ARETI

## PRODUCT

Hat light 444  
Floor light / Cone down

## MATERIALS AND COLOUR OPTIONS

Brushed brass; nickel; powder coated metal

## VERSIONS

Brass tube; black cones (white reflector)  
444OL-F01-BR01  
Brass tube; white cones (white reflector)  
444OL-F01-BR02  
Brass tube; coloured cones (white reflector)  
444OL-F01-BR03  
Brass tube; black cones (brass reflector)  
444OL-F01-BR04  
Brass tube; white cones (brass reflector)  
444OL-F01-BR05  
Brass tube; coloured cones (brass reflector)  
444OL-F01-BR06  
Nickel tube; black cones (white reflector)  
444OL-F01-NI01  
Nickel tube; white cones (white reflector)  
444OL-F01-NI02  
Nickel tube; coloured cones (white reflector)  
444OL-F01-NI03

## TECHNICAL DETAILS

1 x E14 LED 7W max (US: E12)  
110-230V  
IP20  
Light bulb not included

## CABLE LENGTH

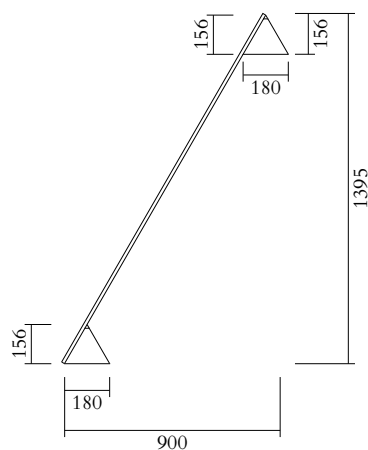
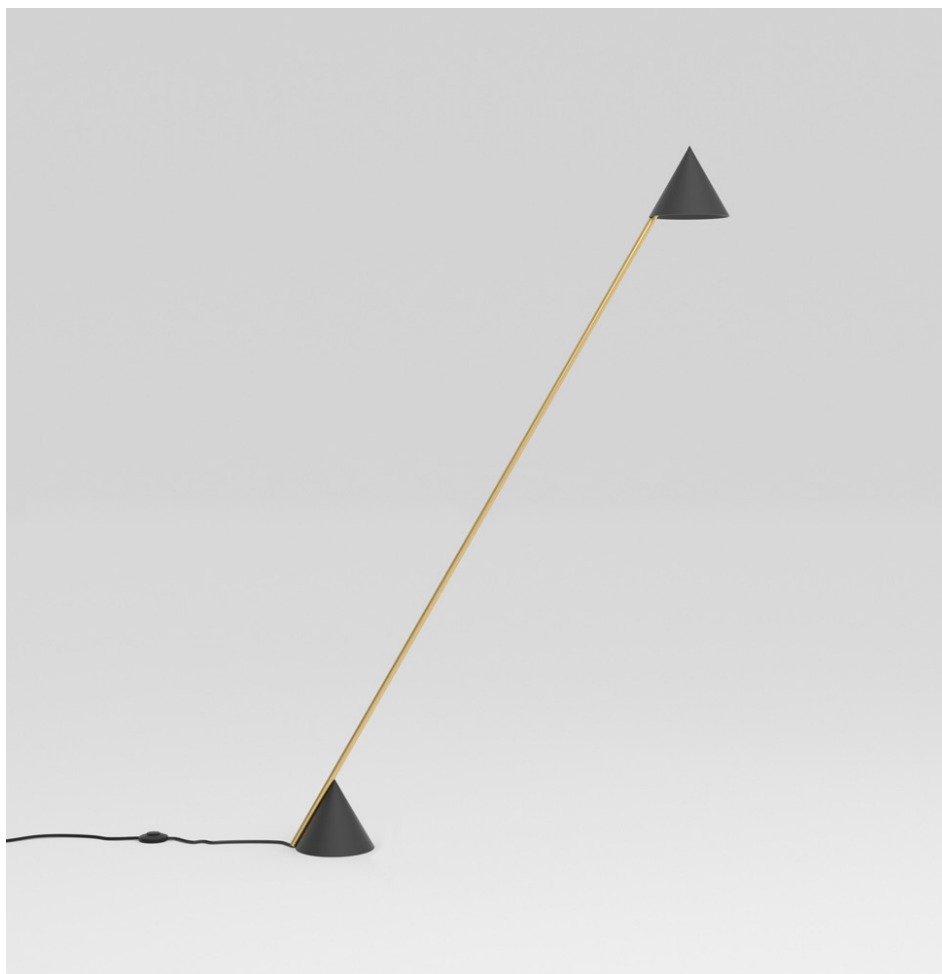
2,00 m

## NOTE

Mirrored bulbs reflect a lot of heat back to the lamp holder. Depending on the space around the lamp holder, the heat might build up above the recommended temperature, especially if the heat is trapped when moving upwards. For this reason, the max wattage indicated does not apply to mirrored bulbs, but to non mirrored bulbs only. The max wattage for mirrored bulbs is 5W LED

## MADE IN

Germany



Sizes in mm. Flat attachments available under request. Variations in colour and size are available for some collections, please contact Areti for more details.

Our collections are hand made and made to order, small irregularities in shape or surface will occur, they are inherent to the hand made process and should not be seen as flaws. For detailed information on any products: [contact@atelierareti.com](mailto:contact@atelierareti.com)

# ATELIER ARETI

## PRODUCT

Hat light 444  
Floor light / Cone down

## MATERIALS AND COLOUR OPTIONS

Brushed brass; nickel; powder coated metal

## VERSIONS

Brass tube; black cones (white reflector)

444OL-F02-BR01

Brass tube; white cones (white reflector)

444OL-F02-BR02

Brass tube; coloured cones (white reflector)

444OL-F02-BR03

Brass tube; black cones (brass reflector)

444OL-F02-BR04

Brass tube; white cones (brass reflector)

444OL-F02-BR05

Brass tube; coloured cones (brass reflector)

444OL-F02-BR06

Nickel tube; black cones (white reflector)

444OL-F02-NI01

Nickel tube; white cones (white reflector)

444OL-F02-NI02

Nickel tube; coloured cones (white reflector)

444OL-F02-NI03

## TECHNICAL DETAILS

1 x E14 LED 7W max (US: E12)

110-230V

IP20

Light bulb not included

## CABLE LENGTH

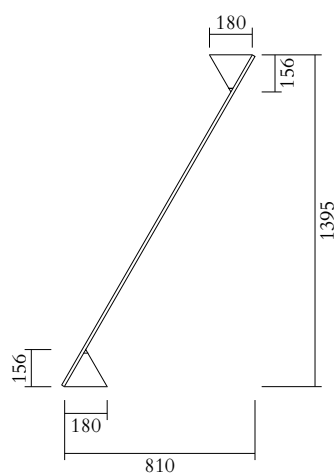
2,00 m

## NOTE

Mirrored bulbs reflect a lot of heat back to the lamp holder. Depending on the space around the lamp holder, the heat might build up above the recommended temperature, especially if the heat is trapped when moving upwards. For this reason, the max wattage indicated does not apply to mirrored bulbs, but to non mirrored bulbs only. The max wattage for mirrored bulbs is 5W LED

## MADE IN

Germany



Sizes in mm. Flat attachments available under request. Variations in colour and size are available for some collections, please contact Areti for more details.

Our collections are hand made and made to order, small irregularities in shape or surface will occur, they are inherent to the hand made process and should not be seen as flaws. For detailed information on any products: [contact@atelierareti.com](mailto:contact@atelierareti.com)