

# Stacy

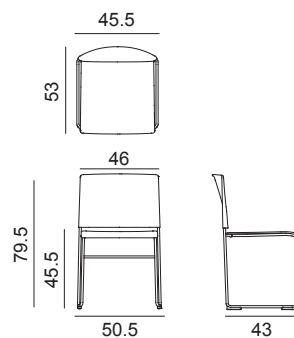
Design by Lievore Altherr, 2018

## Art. 6600

Chair on sled base in chromed or powder-coated steel. Polypropylene seat and backrest available in one matching colour, in 5 finishes, or in a two colour version, with black seat and backrest in one of the other four colours available. Stackability: up to 40 items by using the dedicated trolley.



## Dimensions \*



\* File CAD 2D - 3D available for download at [www.arper.com](http://www.arper.com)

## Frame Base



## Shell

arper

www.arper.com

info@arper.com

# Stacy

Design by Lievore Altherr, 2018

---

## Accessories:



Anti-panic writing tablet Art. 6606



Chair linking system Art. 6607



Row spacer Art. 6609





Trolley for stacking chairs Art. 6611

---

## SHIPMENT DETAILS

### Art.6600

1 pz = 1  - kg 9,25/ m<sup>2</sup> 0,317

4 pz = 1  - kg 25,00/ m<sup>2</sup> 0,341

---

## RESISTANCE TEST

---

## TECHNICAL SPECIFICATIONS

---

## FIRE RETARDANT TEST

Classe 2 polypropylene

---

## Stackability:

- Up to 10 pcs. (should the weight exceed 25 kilos a handling tool must be used).
- With trolley: up to 40 pcs.

arper

www.arper.com

info@arper.com

# Stacy

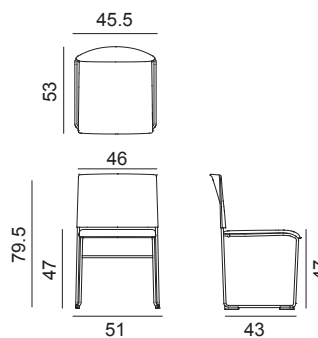
Design by Lievore Altherr, 2018

## Art. 6601

Chair on sled base in chromed or powder-coated steel. Seat upholstery available in fabric, leather, faux leather, or customer's material and polypropylene backrest available in 5 colours. Stackability: up to 25 items by using the dedicated trolley.



## Dimensions \*



\* File CAD 2D - 3D available for download at [www.arper.com](http://www.arper.com)

## Frame Base



## Shell

arper

www.arper.com

info@arper.com

# Stacy

Design by Lievore Altherr, 2018

---

## Accessories:



Anti-panic writing tablet Art. 6606



Chair linking system Art. 6607



Row spacer Art. 6609





Trolley for stacking chairs Art. 6611

---

## SHIPMENT DETAILS

### Art.6601

1 pz = 1  - kg 9,75/ m<sup>2</sup> 0,317

4 pz = 1  - kg 27,00/ m<sup>2</sup> 0,369

---

## TECHNICAL SPECIFICATIONS

### Art.6601

H 140 cm. COM Meterage ml 0,605

---

### Stackability:

- Up to 8 pcs. (should the weight exceed 25 kilos a handling tool must be used).
- With trolley: up to 25 pcs.

arper

www.arper.com

info@arper.com

# Stacy

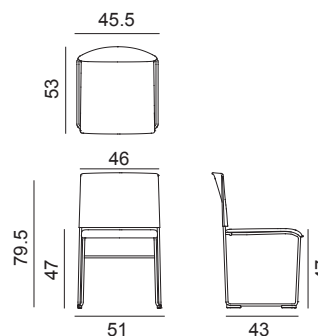
Design by Lievore Altherr, 2018

## Art. 6602

Chair on sled base in chromed or coated steel. Backrest and seat upholstery available in fabric, leather, faux leather, or customer's material. Stackability: up to 25 items by using the dedicated trolley.



## Dimensions \*



\* File CAD 2D - 3D available for download at [www.arper.com](http://www.arper.com)

## Frame Base



## Shell

arper

www.arper.com

info@arper.com

# Stacy

Design by Lievore Altherr, 2018

---

## Accessories:



Anti-panic writing tablet Art. 6606



Chair linking system Art. 6607



Row spacer Art. 6609





Trolley for stacking chairs Art. 6611

---

## SHIPMENT DETAILS

### Art.6602

1 pz = 1  - kg 9,94/ m<sup>3</sup> 0,317

4 pz = 1  - kg 27,76/ m<sup>3</sup> 0,369

---

## TECHNICAL SPECIFICATIONS

### Art.6602

H 140 cm. COM Meterage ml 0,671

---

### Stackability:

- Up to 8 pcs. (should the weight exceed 25 kilos a handling tool must be used).
- With trolley: up to 25 pcs.

arper

www.arper.com

info@arper.com