

Saari TR

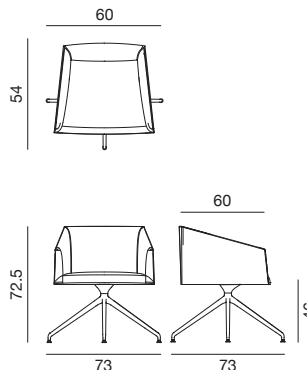
Design by Lievore Altherr Molina, 2009

Art. 2706

Tub armchair with polished or powdercoated aluminium swivel trestle base. Plywood shell upholstered in leather, faux leather, fabric or customer's own fabric is also equipped with easy-tilt mechanism.



Dimensions *



* File CAD 2D - 3D available for download at www.arper.com

Frame Base



arper

Shell

Carded In



Graded In

kvadrat

camira



DESIGN
TEX



Gabriel



svensson

maharam

Serge Ferrari

Saari TR

Design by Lievore Altherr Molina, 2009

Accessories:



Set of glides Art. 2015

SHIPMENT DETAILS

Art.2706

1 pz = 1  - kg 18/ m³ 0,21

RESISTANCE TEST

- EN 1728:2000 - EN 15373:2007 6.15
- EN 1728:2000 - EN 15373:2007 6.2.1
- EN 1728:2000 - EN 15373:2007 6.5
- EN 1728:2000 - EN 15373:2007 6.7
- EN 1728:2000 - EN 15373:2007 6.16
- EN 1728:2000 - EN 15373:2007 6.2.2
- EN 1728:2000 - EN 15373:2007 6.6
- EN 1728:2000 - EN 15373:2007 6.8

TECHNICAL SPECIFICATIONS

Art.2706

COL requirement m² 3,25
H 140 cm. COM Meterage ml 1.82

FIRE RETARDANT TEST

BS5852 i.s. 5 Cava 3 Field Tempo • Classe 1IM Cava 3 Field Tempo
Faux leather Valencia • California TB117-2013 Cava 3 Clara Canvas
Divina MD Divina Melange 2 Divina 3 Soft leather Elmosoft Field
Hallingdal 65 Jet Jumper 3 Pro 3 Soft leather Pause 4 Remix 2
Savanna Steelcut 2 Scuba Steelcut Trio 2 Steelcut Trio 3 Sunniva
Sunniva 2 Tonus 4 Tempo Faux leather Valencia • BS5852 Sch. 4 Part 1
Steelcut Trio 2 Steelcut Trio 3 • BS5852 Sch. 5 Part 1 Cava 3 Clara
Canvas Divina MD Divina Melange 2 Divina 3 Soft leather Elmosoft
Hallingdal 65 Soft leather Remix 2 Savanna Steelcut 2 Steelcut Trio 2
Steelcut Trio 3 Tonus 4 Faux leather Valencia • EN 1021 - 1 Cava 3
Field Tempo • EN 1021 - 2 Cava 3 Field Tempo

ENVIRONMENTAL CERTIFICATIONS



arper

www.arper.com
info@arper.com