

Saari

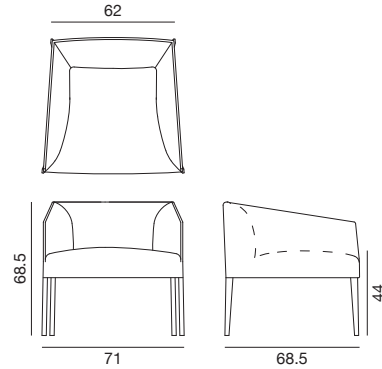
Design by Lievore Altherr Molina, 2009

Art. 2710

Armchair (71 cm wide seat) with polished or powdercoated four-leg steel base, or with oak effect reconstituted veneer base. Upholstered shell with metal and plywood frame available in leather, faux leather, fabric or customer's material. Fully removable cover version available upon request without surcharge.



Dimensions *



* File CAD 2D - 3D available for download at www.arper.com

Frame Base



Shell

Carded In



Graded In

kvadrat

camira



DESIGN
TEX



Gabriel



svensson

maharam

Serge Ferrari

Saari

Design by Lievore Altherr Molina, 2009

Accessories:

USB Art. 6001

SHIPMENT DETAILS

Art.2710

1 pz = 1  - kg 15/ m³ 0,56

RESISTANCE TEST

TECHNICAL SPECIFICATIONS

Art.2710

COL requirement m² 3,86

H 140 cm. COM Meterage ml 2.75

FIRE RETARDANT TEST

BS5852 i.s. 5 Cava 3 Clara Field Pro 3 Remix 2 Scuba Tonus 4 Tempo
• Classe 1IM Cava 3 Field Tempo • BS5852 Sch. 4 Part 1 Divina MD
Divina Melange 2 Divina 3 Hallingdal 65 Steelcut Trio 2 Steelcut Trio 3
Tonus 4 • BS5852 Sch. 5 Part 1 Cava 3 Clara Divina MD Divina
Melange 2 Divina 3 Soft leather Elmosoft Hallingdal 65 Remix 2 Steelcut
Trio 2 Steelcut Trio 3 Tonus 4 • EN 1021 - 1 Cava 3 Clara Field Pro 3
Remix 2 Tempo • EN 1021 - 2 Cava 3 Clara Field Pro 3 Remix 2
Tempo

ENVIRONMENTAL CERTIFICATIONS



arper

www.arper.com
info@arper.com