

# Catifa Sensit

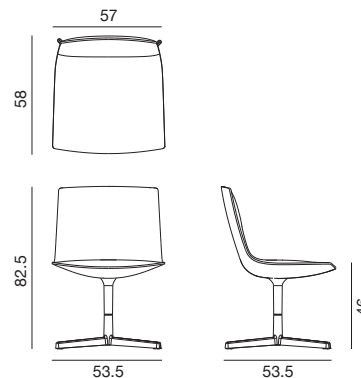
Design by Lievore Altherr Molina, 2014

## Art. 4901

Chair with polished or powder-coated aluminum 4 way pedestal base, available in the swivel version (Art. 4901), or with return mechanism (Art. 4912). Shell with low backrest, entirely upholstered in leather, customer's leather, coated fabric, fabric or customer's fabric and fitted with self-tensioning weight response mechanism. Aluminium armrests are offered in the same finishes of the base (BI) or upholstered (BR).

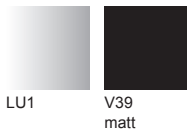


### Dimensions \*



\* File CAD 2D - 3D available for download at [www.arper.com](http://www.arper.com)

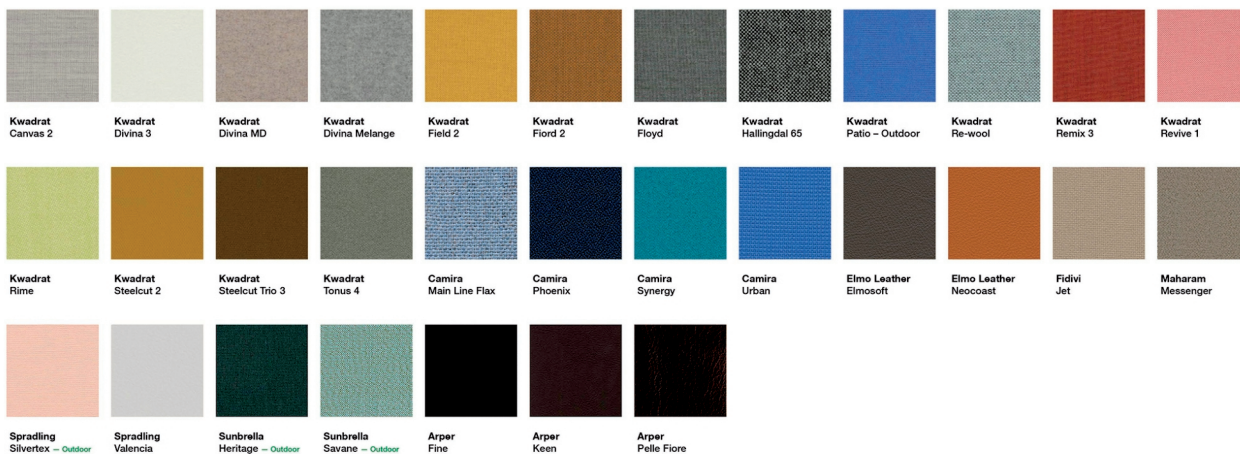
### Frame Base



arper

### Shell

#### Carded In



#### Graded In

**kvadrat**

**camira**

**Gabriel®**

info@arper.com

www.arper.com

# Catifa Sensit

Design by Lievore Altherr Molina, 2014

---



Armrest BI

---

## SHIPMENT DETAILS

### Art.4901

1 pz = 1  - kg 23,96/ m³ 0,592

---

## RESISTANCE TEST

---

## ENVIRONMENTAL CERTIFICATIONS



---

## TECHNICAL SPECIFICATIONS

### Art.4901

COL requirement m² COL requirement m² 1.98  
Armrests BR: COL requirement m² 1.14  
H 140 cm. COM Meterage m H 140 cm. COM Meterage  
ml 1.38 Armrests BR: H 140 cm. COM Meterage ml  
1.16

---

## FIRE RETARDANT TEST

arper

www.arper.com  
info@arper.com

# Catifa Sensit

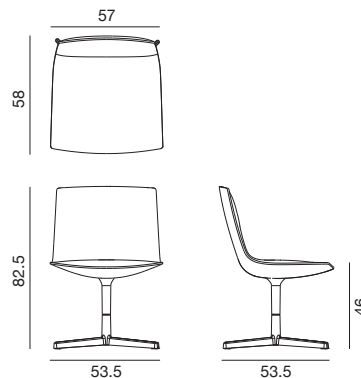
Design by Lievore Altherr Molina, 2014

## Art. 4912

Chair with polished or powder-coated aluminum 4 way pedestal base, available in the swivel version (Art. 4901), or with return mechanism (Art. 4912). Shell with low backrest, entirely upholstered in leather, customer's leather, coated fabric, fabric or customer's fabric and fitted with self-tensioning weight response mechanism. Aluminium armrests are offered in the same finishes of the base (BI) or upholstered (BR).

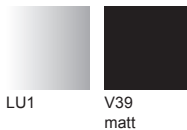


## Dimensions \*



\* File CAD 2D - 3D available for download at [www.arper.com](http://www.arper.com)

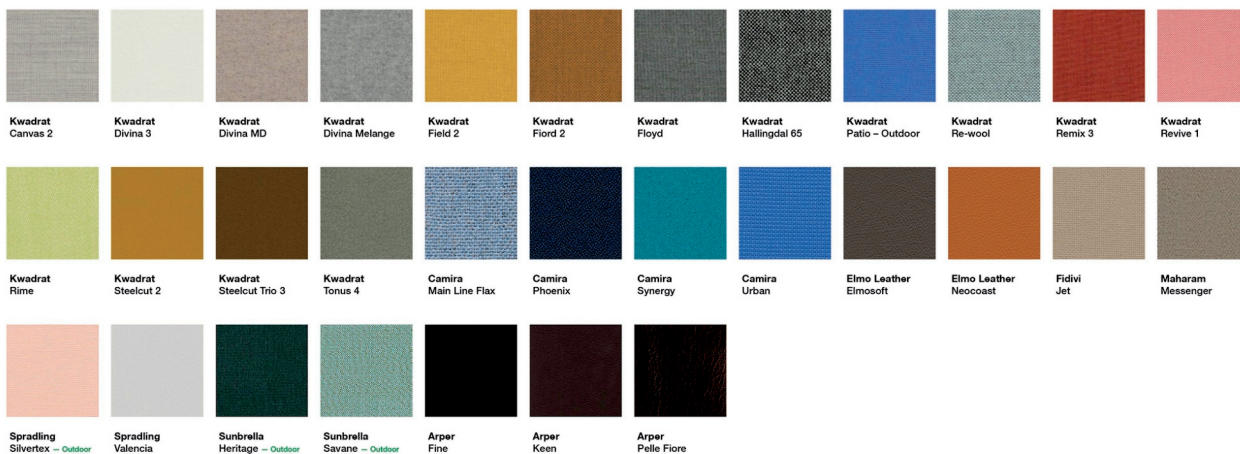
## Frame Base



arper

## Shell

## Carded In



## Graded In

**kvadrat**

**camira**

**Gabriel®**

# Catifa Sensit

Design by Lievore Altherr Molina, 2014

---




Armrest BI

---

## SHIPMENT DETAILS

### Art.4912

1 pz = 1  - kg 23,96/ m³ 0,592

---

## RESISTANCE TEST

---

## ENVIRONMENTAL CERTIFICATIONS



---

## TECHNICAL SPECIFICATIONS

### Art.4912

COL requirement m² COL requirement m² 1.98  
Armrests BR: COL requirement m² 1.14  
H 140 cm. COM Meterage m H 140 cm. COM Meterage  
ml 1.38 Armrests BR: H 140 cm. COM Meterage ml  
1.16

---

## FIRE RETARDANT TEST

arper

www.arper.com

info@arper.com